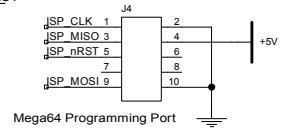
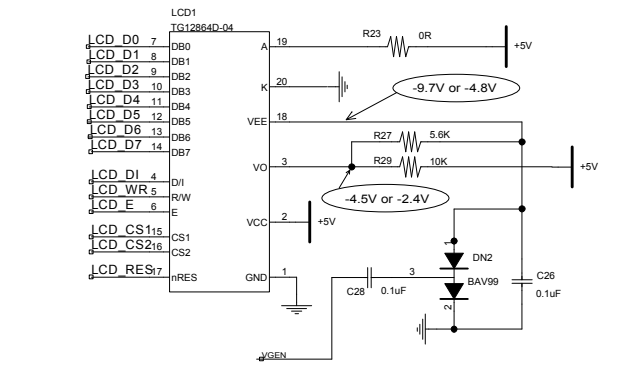
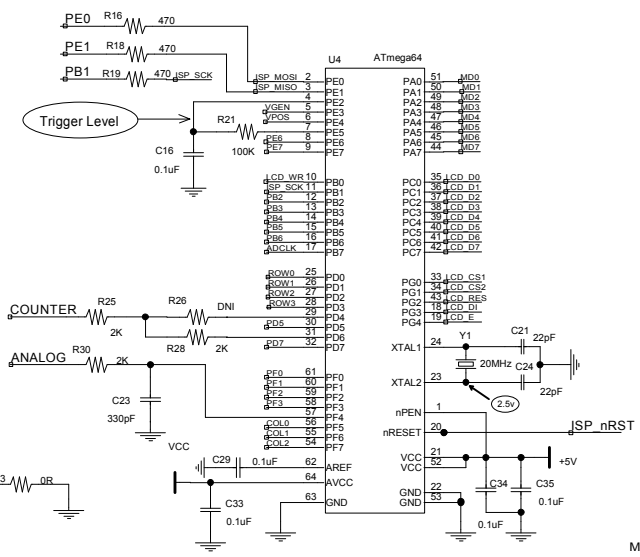
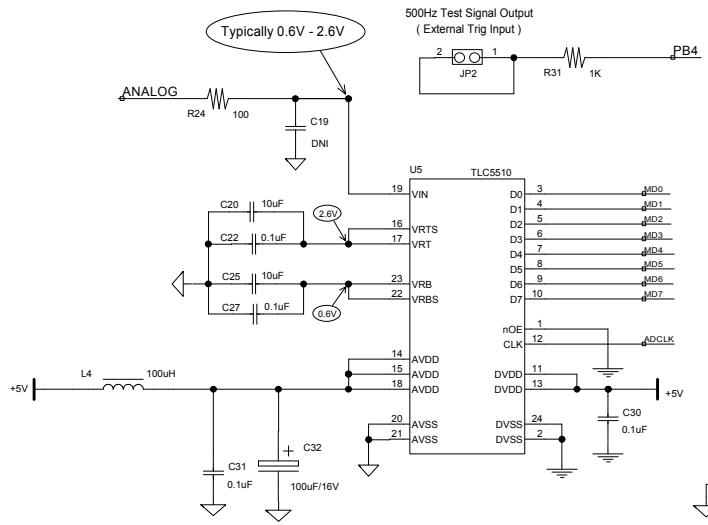
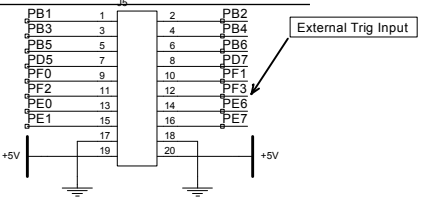
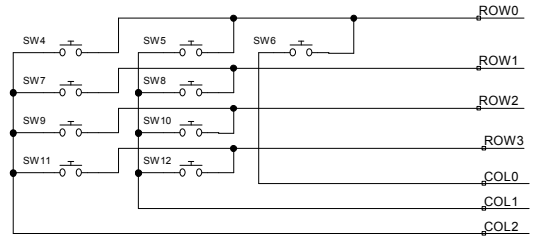
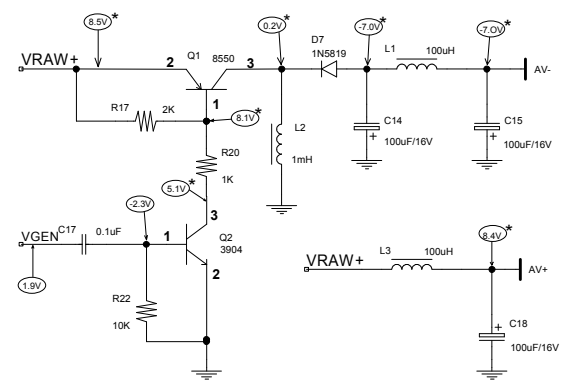
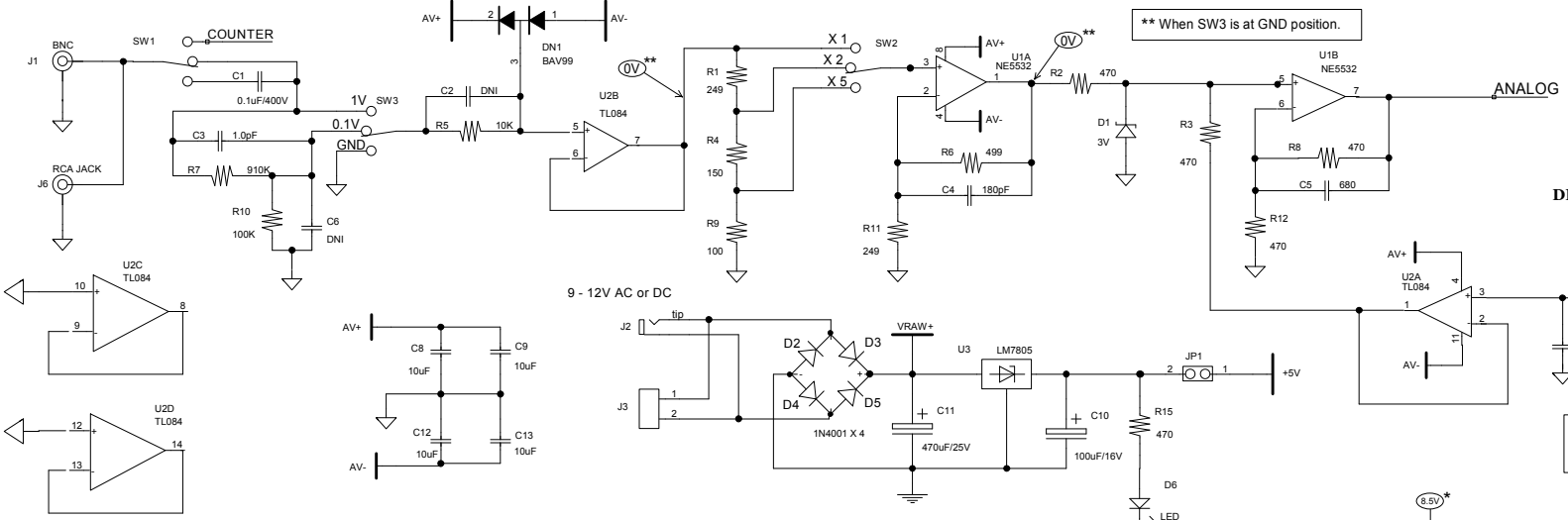


今越电子制作
WWW.JYETECH.COM

提供该示波器的DIY套件和PCB空板
 DIY kit and bare PCB are available for this scope
 Email: jyetek@gmail.com

* These voltages are for reference only.
 Their actual values depend on VRAW+.

WWW.JYETECH.COM



Title SINGLE BOARD LCD OSCILSCOPE		Document 105-06200-00A
Author WWW.JYETECH.COM		Sheets 1 of 1
File sLcdScope\105-06200-00AJ\105-06200-00AJ.dsn	Date JULY 17, 2008	
Revision 00A		