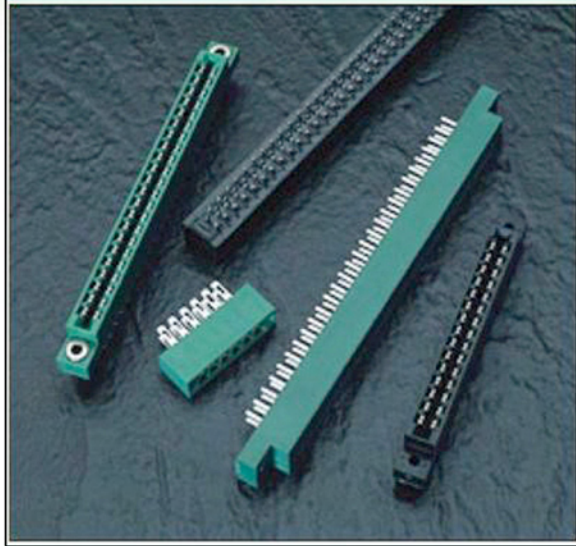
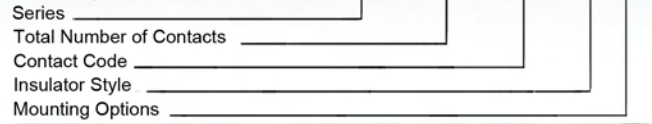




SERIES 305/315/355



Example Part Number 305 - 056 - 521 - 2 04



| Series | Insulator Colour | Card Slot Length |
|--------|------------------|-----------------------------------|
| 305 | Green | Standard Length per MIL-C-21097 |
| 315 | Green | .020 (0.51) Shorter than Standard |
| 355 | Black | Standard Length per MIL-C-21097 |

| Total Number of Contacts | Contact Rows |
|--------------------------|--------------|
| 012, 014,, 086 | Dual Row |

| Contact Code | Description & Tail Size | Tail Length "G" |
|--------------|---|-----------------|
| 500 | Wire Hole .087 x .013 (2.21 x 0.33) | .282(7.16) |
| 520 | P.C. Tail .046 x .013 (1.17 x 0.33) | .213(5.41) |
| 521 | P.C. Tail .046 x .013 (1.17 x 0.33) | .125(3.18) |
| 555 | Extender Board Bend (Code 500 Contacts) | |
| 556 | Extender Board Bend (Code 520 Contacts) | |

| Insulator Style | Description |
|-----------------|-----------------------------|
| 2 | .295 (7.49) Card Slot Depth |
| 5 | .330 (8.38) Card Slot Depth |

| Mounting Options | Description |
|------------------|-----------------------------------|
| 01 | No Mounting Lugs |
| 02 | .128 (3.25) Dia. Mounting Holes |
| 03 | .116 (2.95) I.D. Floating Eyelets |
| 04 | .156 (3.96) Dia. Mounting Holes |
| 07 | M3-0.5 Metric Threaded Inserts |
| 08 | #4-40 Unified Threaded Inserts |
| 58 | .468 (11.89) Offset Card Guides |
| 68 | .344 (8.74) Offset Card Guides |
| 78 | In-Line Card Guides |

Ordering Code Notes

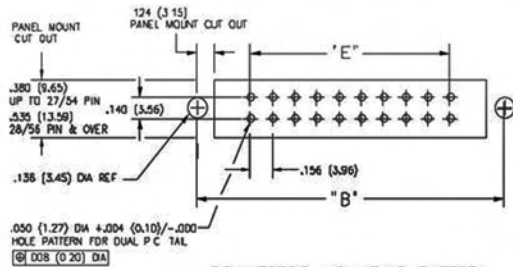
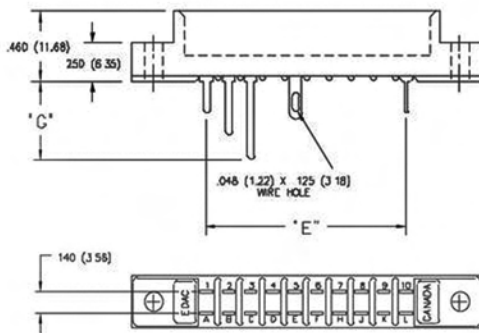
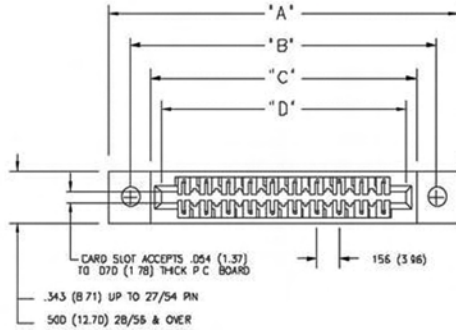
- 1) All connector sizes up to 86 contacts dual row are available upon request
- 2) Consult with EDAC regarding single row configuration and wire wrap tail options
- 3) Insulator style code 5 is available for the 305 and 355 series upon request

FEATURES

- UL Recognized
- .156 (3.96) Contact Spacing x .140 (3.56) Row Spacing
- Accepts .062 (1.57) Nominal Thickness P.C. Board
- Low Profile Insulator Body, .460 (11.68)
- Contact Termination Options include P.C. Tail, Wire Hole & Extender Board Bends
- Large Variety of Mounting Options
- Pre-assembled Card Guides Available
- Accepts Between Contact and In-Contact Polarizing Keys

SPECIFICATIONS

- Insulator Material: Thermoplastic Polyester, UL 94V-0.
- Contact Material: Copper, Nickel, Tin Alloy CA-725
- Contact Plating: Gold on the Mating Area, Tin on the Contact Tails, Nickel Underplate
- Current Rating: 5 Amperes Continuous
- Contact Resistance: 10 Milliohms Maximum
- Dielectric Withstanding Voltage: 1800 V AC rms at Sea Level Between Adjacent Contacts
- Insulation Resistance: 5000 Megohms Minimum
- Operating Temperature: -65 to +105 Degrees C
- Insertion Force: 16 oz (4.45 N) Maximum per Contact Pair when Tested with a .070 (1.78) Thick Gauge
- Withdrawal Force: 1 oz (.28 N) Minimum per Contact Pair when Tested with a .054 (1.37) Thick Gauge



CONNECTOR MOUNTING PATTERN

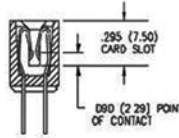
IN-CONTACT
POLARIZING KEY
P/N 307-240-326



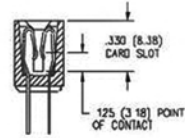
BETWEEN CONTACT
POLARIZING KEY
P/N 306-240-318



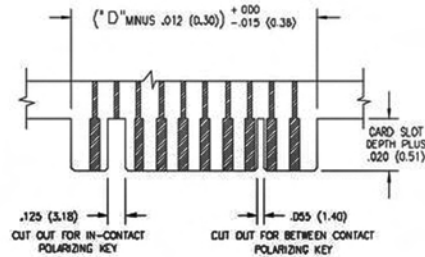
SECTIONS THROUGH CONTACT POSITION



INSULATOR STYLE
CODE 2



INSULATOR STYLE
CODE 5



RECOMMENDED DAUGHTER BOARD

| NUMBER OF CONTACTS | "A" | "B" | "C" | "D" | | "E" |
|--------------------|----------------|----------------|----------------|----------------|----------------|----------------|
| | | | | 305, 355 | 315 | |
| Dual | Inch (mm) | Inch (mm) | Inch (mm) | Inch (mm) | Inch (mm) | Inch (mm) |
| 12 | 1.842 (46.79) | 1.532 (38.91) | 1.246 (31.65) | 1.100 (27.94) | 1.080 (27.43) | .780 (19.81) |
| 20 | 2.466 (62.64) | 2.156 (54.76) | 1.870 (47.50) | 1.724 (43.79) | 1.704 (43.26) | 1.404 (35.66) |
| 24 | 2.778 (70.56) | 2.468 (62.69) | 2.182 (55.42) | 2.036 (51.71) | 2.016 (51.21) | 1.716 (43.59) |
| 30 | 3.246 (82.45) | 2.936 (74.57) | 2.650 (67.31) | 2.504 (63.60) | 2.484 (63.09) | 2.184 (55.47) |
| 36 | 3.714 (94.34) | 3.404 (86.46) | 3.118 (79.20) | 2.972 (75.49) | 2.952 (74.98) | 2.652 (67.36) |
| 44 | 4.338 (110.19) | 4.028 (102.31) | 3.742 (95.05) | 3.596 (91.34) | 3.576 (90.83) | 3.276 (83.21) |
| 48 | 4.650 (118.11) | 4.340 (110.24) | 4.054 (102.97) | 3.908 (99.26) | 3.888 (98.76) | 3.588 (91.14) |
| 50 | 4.806 (122.07) | 4.496 (114.20) | 4.210 (106.93) | 4.064 (103.23) | 4.044 (102.72) | 3.744 (95.10) |
| 56 | 5.274 (133.96) | 4.964 (126.09) | 4.678 (118.82) | 4.532 (115.11) | 4.512 (114.60) | 4.212 (106.98) |
| 60 | 5.586 (141.88) | 5.276 (134.01) | 4.990 (126.75) | 4.844 (123.04) | 4.824 (122.53) | 4.524 (114.91) |
| 72 | 6.522 (165.66) | 6.212 (157.78) | 5.926 (150.52) | 5.780 (146.81) | 5.760 (146.30) | 5.460 (138.68) |
| 86 | 7.614 (193.40) | 7.304 (185.52) | 7.018 (178.26) | 6.872 (174.55) | 6.852 (174.04) | 6.552 (166.42) |

Dimensions of Other Connector Sizes are Listed