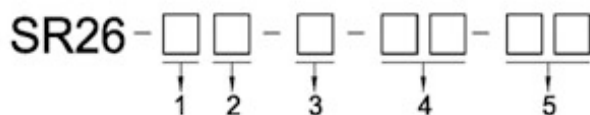
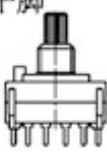
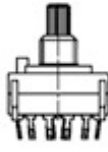




SR26 Series Code Explanation



1. Type of Terminal (焊脚类型) : H-Horizontal (水平脚) , C-Curve (C-斜脚) .(See Drawing 1) .
2. Type of Welding Point (焊点类型) : H-Hole (孔形) , N-Needle (针形) .(Drawing 1) .
(Drawing 1)

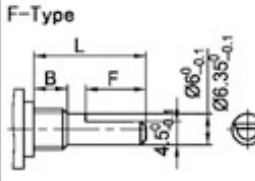
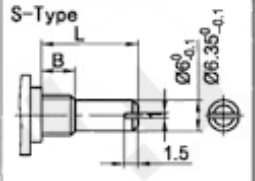
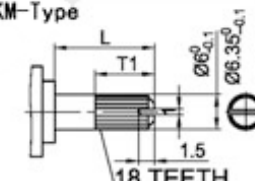
Terminal Detail (焊脚类型)	
H-Horizontal 水平脚 	C-Curve 斜脚 
 N-Needle 针形	 H-Hole 孔形

3. B-With Bushing (B-带轴套) , N-Without Bushing (无轴套) .
4. Type of Electric Circuit (电路情况) : 0205-2PIN 5POS (2刀5位) .(See Drawing 2) .
(Drawing 2)

SR26 SERIES ELECTRONICS CIRCUIT (SR26系列电路类型)											
PIN NUMBER	2POS	3POS	4POS	5POS	6POS	7POS	8POS	9POS	10POS	11POS	12POS
ONE PIN	0102	0103	0104	0105	0106	0107	0108	0109	0110	0111	0112
TWO PIN	0202	0203	0204	0205	0206						
THREE PIN	0302	0303	0304								
FOUR PIN	0402	0403									

5. Type of Shaft and Shaft Length (轴端结构形式与轴长) .(Drawing 3)
(Drawing 3)

Unit :mm

SR25 SERIES STANDARD SHAFT STYLE (SR25系列轴端结构形式)								
F-Type 	S-Type 	KM-Type 						
Shaft Data				B=6mm				
Shaft-Type	L	10	16	20	25	30	35	
KM	T1	2.4	6.5	11	14	14	14	
F	F	2.5	7	12	14	14	14	
S	L	10	16	20	25	30	35	

Mechanical Characteristics (机械性能)

Total rotatable angle	总旋转角度	-----360° ±5°
Rotary torque	旋转力矩	-----400gf. cm-1.5Kgf. cm
Shaft stop strength	止档强度	-----20kgf. cm/Max
Push-pull strength	推拉强度	-----4kgf Max.
Conversion angle	转换角度	-----45/51.4° ±1°
Rotary life	旋转寿命	-----10,000 Cycles

Electrical Characteristics (电气性能)

Rated wattage	额定功率	-----AC125V 0.3A
Electrical life	电气寿命	-----10,000 Cycles
Switch contact resistance	接触电阻	-----<0.05Ω
Max operation voltage	最高电压	-----AC 200V
Insulation resistance	绝缘电阻	----->500MΩ at DC 200V
Pressure limit	耐压极限	-----AC 1000V for 1 minute