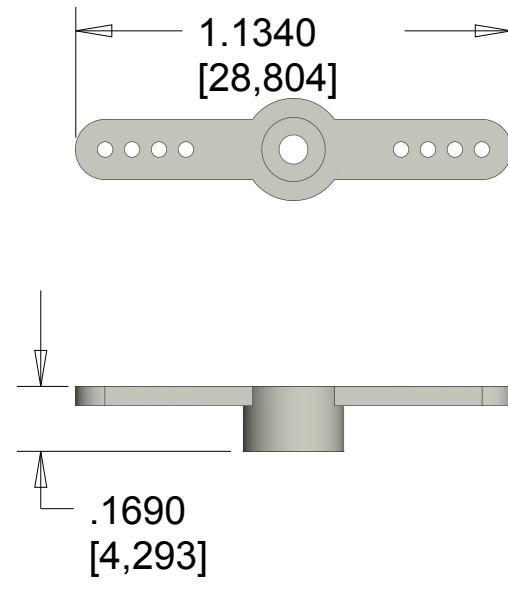
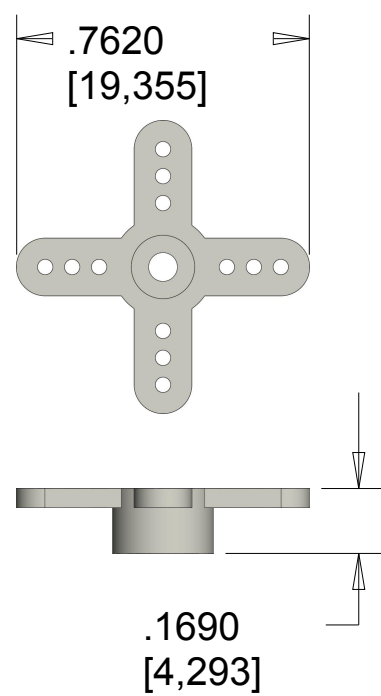
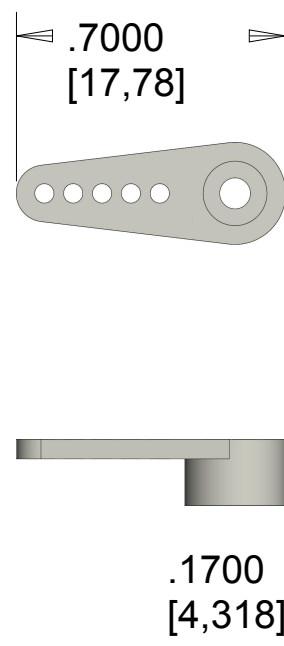
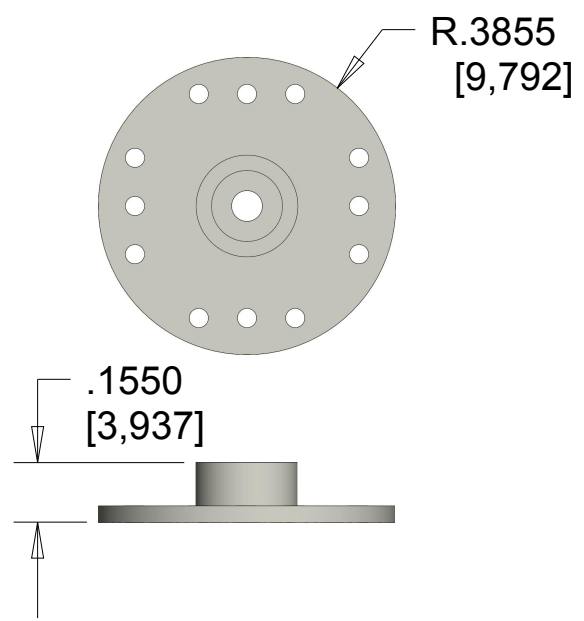


SCALE 2.000

SCALE 4.000



- Features —
- Voltage: 4.8-6.0 Volts
  - Torque: 16.6/20.8 oz-in. (4.8/6.0V)
  - Speed: 0.15/0.10 sec/60° (4.8/6.0V)
  - Rotation: ~160°
  - Single Top Ball Bearing
  - Nylon Gears
  - 3-Pole Ferrite Motor

- Includes —
- 1x Micro Servo
  - 1x Single Arm Micro Horn
  - 1x Double Arm Micro Horn
  - 1x Four Point Micro Horn
  - 1x Circle Micro Horn
  - 2x 2x8mm Phillips Screw

This servo is rated for 180° rotation, but in actuality it only hits ~160°  NOTES:	MATERIAL:	Plastic + Metal	MODEL NAME:	Servo - Small
	Here is a simple, low-cost, high quality servo for all your mechatronic needs. This servo is very similar in size and specifications to the Hitec HS-55. This little guy is able to take in 6 volts and deliver 20.8 oz-in. of maximum torque at 0.10 sec/60° This small servo comes with a standard 3 pin power and control cable.		<a href="https://www.sparkfun.com/products/9065">https://www.sparkfun.com/products/9065</a>	
	DESCRIPTION:		ROB-09065	
	DRAWN BY:	Paul Smith	PAGE SIZE C 22 x 17 INCH	
DATE:	16 July 2013	SCALE: variable UNITS: inch [mm]		
CAD APPLICATION: Creo Parametric 2.0		VER:	1.0	SHEET 1 / 1