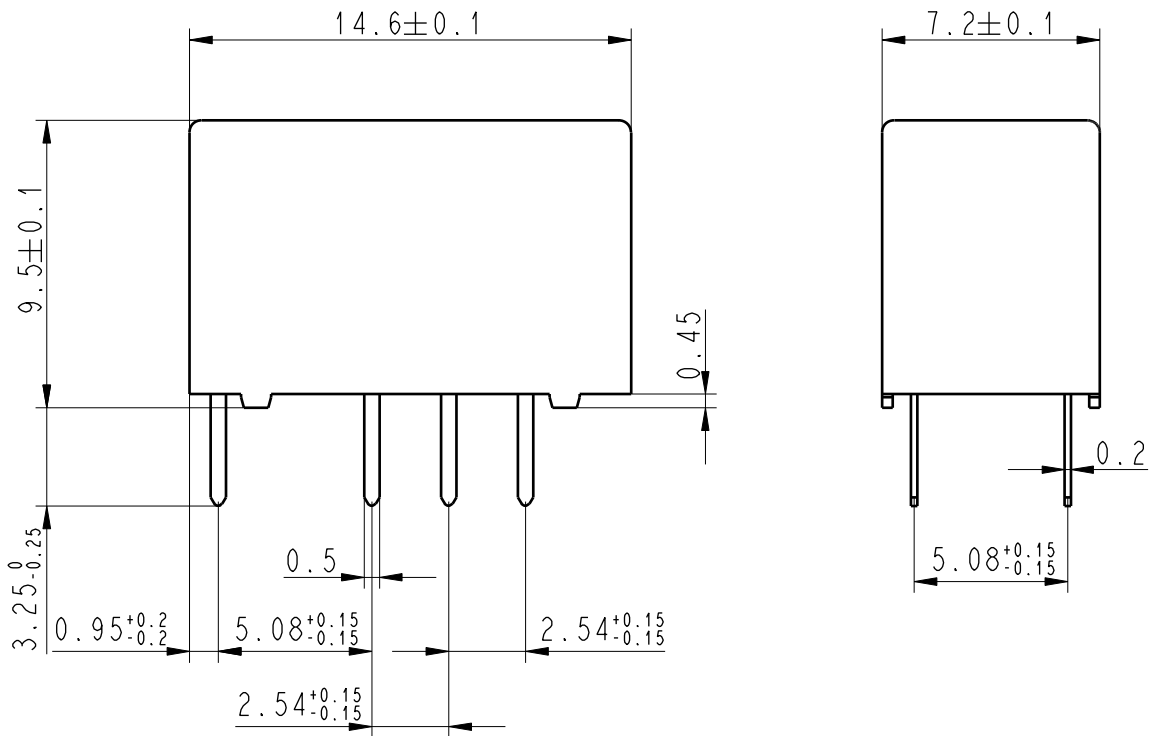
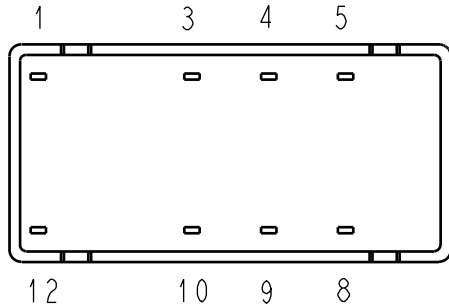


LOC	DIST	REVISIONS					
		P	LTR	DESCRIPTION	DATE	DWN	APVD
HJ	-		A4	Change C23303-A079-A001 to C-1393789-2	05May2004	PK	HD
			A5	Change marking	28Jul2006	UKo	HD
			A6	Tolerance added	09SEP2009	UKo	HD
			B	Change marking	11SEP2009	UKo	HD



xx = Relay type  
YYWW = Date code

DRAWING ALIAS C23303-A079-A001

2006

RELEASED FOR PUBLICATION

THIS DRAWING IS UNPUBLISHED.

© COPYRIGHT 2006 BY TYCO ELECTRONICS CORPORATION. ALL RIGHTS RESERVED.

DIMENSIONS: mm	DWN	Korytak	02Jun2004	MATERIAL	-	FINISH	-
	CHK	Korytak	02Jun2004	Tyco Electronics AXICOM AG CZ-54101 Trutnov			
TOLERANCES UNLESS OTHERWISE SPECIFIED: DIN 7168-m	APVD	Korytak	02Jun2004				
0 PLC ±-	PRODUCT SPEC	NAME P2-Relay THT Dimensions					
1 PLC ±	-						
2 PLC ±	APPLICATION SPEC	SIZE CAGE CODE DRAWING NO RESTRICTED TO					
3 PLC ±	-						
4 PLC ±	WEIGHT	A4 00779 C-1393789-2 -					
ANGLES ±-		CUSTOMER DRAWING SCALE 4:1 SHEET 1 OF 1 REV B					