



**JSL-521 Series
(5mm round bi-color LED diode)**

Features:

- 1.5mm round type, bi-color with 3 leads
- 2.White diffused or water clear lens are available
- 3.Common Anode or Common Cathode are available
- 4.IC compatible /Low current capability
- 5.Long life solid state reliability.
- 6. RoHs compliant.

Electrical and optical characteristics(Ta=25 °c)

Part Number	Dice material And color		Lens color	Peak Wave length	Vf(V) Typ	Iv(mcd)			Viewing Angle 2 θ 1/2
						Min	Typ	Max	
JSL-521RGW	AlGaInP	Ultra Red	White	625nm	2.0	400	600	700	60°
	AlGaInP	Ultra Green	Diffused	572nm	2.0	30	70	100	
JSL-521YGW	GaAsp/Gap	Ultra Yellow	White	590nm	2.0	400	600	700	60°
	Gap	Ultra Green	Diffused	572nm	2.0	30	70	100	
JSL-521RBW	AlGaInP	Ultra Red	White	625nm	2.0	400	600	700	60°
	AlGaInP	Ultra Blue	Diffused	470nm	3.2	600	1000	1200	
JSL-521RPGW	AlGaInP	Ultra Red	White	625nm	2.0	400	600	700	60°
	AlGaInP	Pure Green	Diffused	525nm	3.2	1500	2000	2500	
JSL-521RGC	GaAsp/Gap	Hi-eff Red	Water Clear	625nm	2.0	800	1200	1500	30°
	Gap	Green		572nm	2.0	50	100	150	
JSL-521YGC	GaAsp/Gap	Yellow	Water Clear	590nm	2.0	800	1200	1500	30°
	Gap	Green		572nm	2.0	50	100	150	
JSL-521RBC	AlGaInP	Ultra Red	Water Clear	625nm	2.0	800	1200	1500	30°
	AlGaInP	Ultra Blue		470nm	3.2	1500	2500	3500	
JSL-521RPGC	AlGaInP	Ultra Red	Water Clear	625nm	2.0	600	1200	1500	30°
	AlGaInP	Pure Green		525nm	3.2	6000	8000	10000	

Note: Common Anode and Common Cathode can be made by choosing.



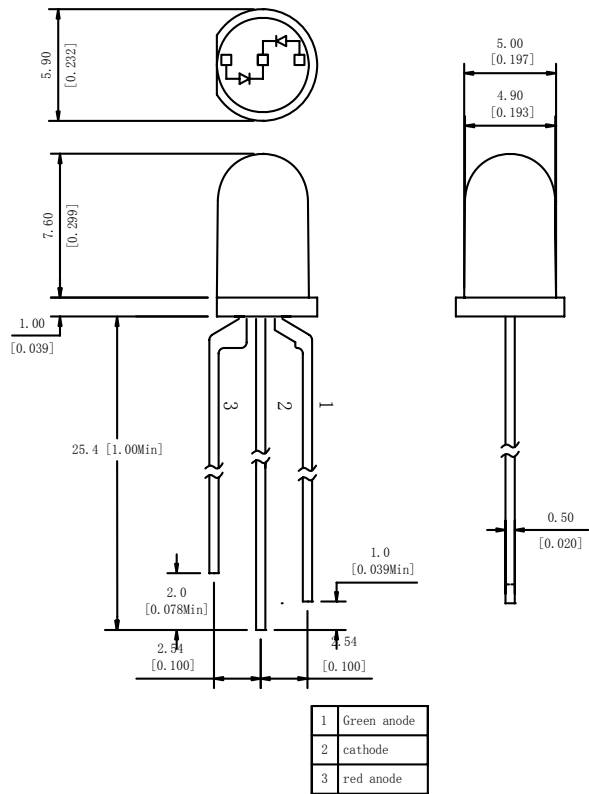
JSTRONIC

JSL-521 Series (5mm round bi-color LED diode)

Absolute Maximum Ratings at Ta=25°C

Parameter	Symbol	UR	UY	UG	UB	PG	Unit
Forward Current	I _F	25	25	25	30	30	mA
Power Dissipation	P _d	60	60	60	100	100	mW
Reverse Voltage	V _R	5					V
Peak Forward Current (Duty 1/10 @ 1KHZ)	I _{PF}	150					mA
Operation Temperature	T _{OPR}	-40 to +80					°C
Storage Temperature	T _{STG}	-40 to +85					°C

Package configuration:



- 1.All dimensions are millimeters (inches)
- 2.Tolerance is ±0.25mm(.010") unless otherwise noted.