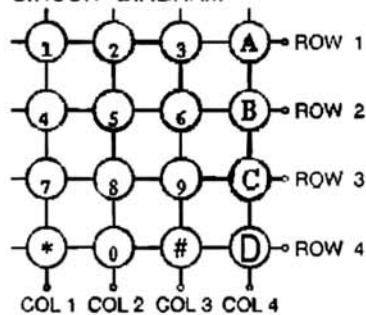


ACTUATING FORCE: 100 ± 30 GRAMS.  
STROKE: 1.5 ± 0.5mm.

CIRCUIT DIAGRAM



| OUTPUT ARRANGEMENT |        |
|--------------------|--------|
| OUTPUT PIN NO.     | SYMBOL |
| 1                  | COL 1  |
| 2                  | COL 2  |
| 3                  | COL 3  |
| 4                  | COL 4  |
| 5                  | ROW 1  |
| 6                  | ROW 2  |
| 7                  | ROW 3  |
| 8                  | ROW 4  |

- Contact rating: 20mA, 24VDC
- Contact resistance: 200 ohm max
- Life: 1,000,000 cycles per key
- Operating Temperature: -20°C to +60°C
- Storage Temperature: -40°C to +65°C