

# M065

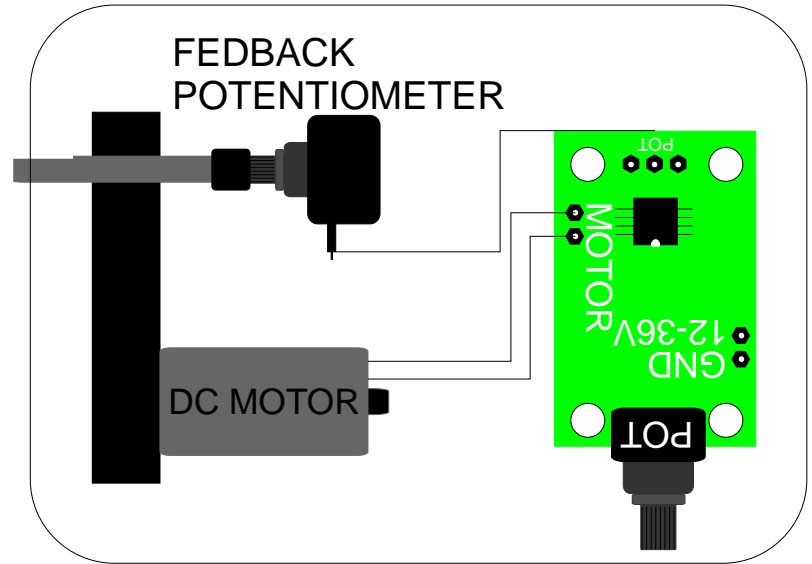
## BRUSHED DC MOTOR SERVO MOTOR DRIVER

Versatile kit has been designed to use in automotive application and industrial servo control application. This project provides all active necessary functions for

**POWER SUPPLY 12-30V DC**  
**MOTOR LOAD 800mA MAX.**

### Applications

Car Mirror Pan Tilt  
Head Light Lamp control  
Cheap Camera Focus control  
Antenna Direction



SR	QNTY.	REF	DESCRIPTION
1	1	CN1	2 PIN HEADER CONNECTOR
2	1	C1	0.1uF
3	1	C2	47uF
4	1	D1	1N4007
5	1	D2	36V ZENER DIODE
6	1	D3	3MM RED OR GREEN LED
7	1	MG1	2 PIN HEADER CONNECTOR
8	2	P1,P2	1K POTENTIOMETER
9	1	R1	2.2K
10	2	R2,R3	100K
11	3	R4,R5,R6	47K
12	1	U1	TLE4209A IC
13	1	8 DIP	8 PIN IC SOCKET
14	1	P1	3 PIN HEADER WIRE

