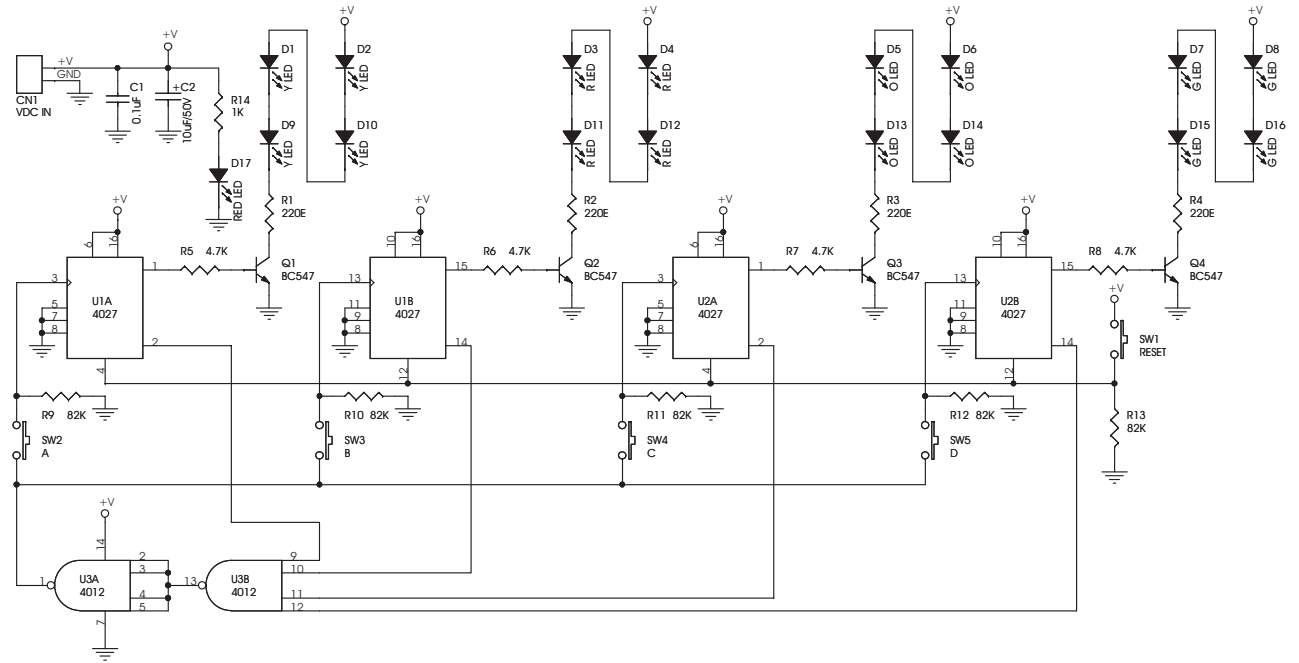


WHO'S FIRST (GAME) INDICATOR

J016

Who's First (Game) Indicator kit simply shows corresponding LED's for whoever pushed the switch first.

- Upto four players can play simultaneously
- Well marked switches
- Each indication made of four LED's
- Reset switch overrides all inputs
- PCB dimensions 95 mm x 52 mm



SR.	QTY.	REF.	DESCRIPTION
1	1	CN1	2 PCB PINS
2	1	C1	0.1uF
3	1	C2	10uF/50V OR 63V
4	4	D1,D2,D9,D10	YELLOW LED
5	4	D3,D4,D11,D12	RED LED
6	4	D5,D6,D13,D14	ORANGE LED
7	4	D7,D8,D15,D16	GREEN LED
8	1	D17	RED LED
9	4	Q1,Q2,Q3,Q4	BC547
10	4	R1,R2,R3,R4	220E
11	4	R5,R6,R7,R8	4.7K
12	5	R9,R10,R11,R12,R13	82K
13	1	R14	1K
14	1	SW1	TACT SWITCH - RED
15	4	SW2,SW3,SW4,SW5	TACT SWITCH
16	2	U1,U2	4027
17	1	U3	4012
18	2	SOCKET	16 PIN DIP IC SOCKET
19	1	SOCKET	14 PIN DIP IC SOCKET

