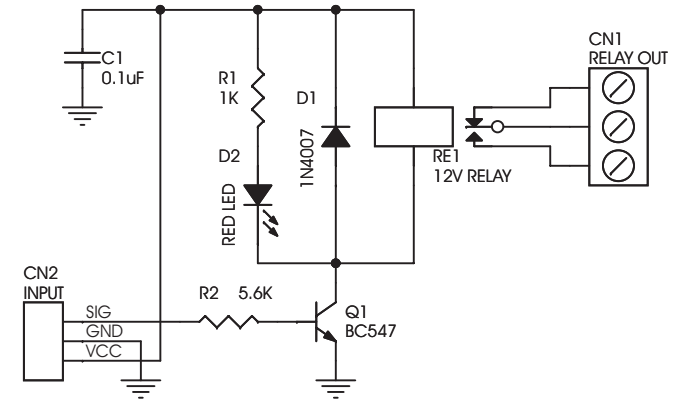


I004 SINGLE CHANNEL RELAY BOARD

Single Channel Relay Board is a simple and convenient way to interface a relay for switching application in your project.

- Input supply 12 VDC @ 42 mA
- Output SPDT Relay
- Relay specification 5 A @ 230 VAC
- Trigger level 2 ~ 5 VDC
- Berg connector for connecting power and trigger voltage
- LED indicates relay status
- Screw terminal connector for easy relay output connection
- Four mounting holes of 3.2 mm each
- PCB dimensions 27 mm x 62 mm



CN1 Connector : Relay Out
CN2 Connector : Control Signal

SR.	QTY.	REF.	DESCRIPTION
1	1	CN1	3 PIN SCREW TERMINAL CONNECTOR
2	1	CN2	3 PIN BERG CONNECTOR
3	1	C1	0.1uF
4	1	D1	1N4007
5	1	D2	RED LED
6	1	Q1	BC547
7	1	RE1	12V RELAY
8	1	R1	1K
9	1	R2	5.6K

