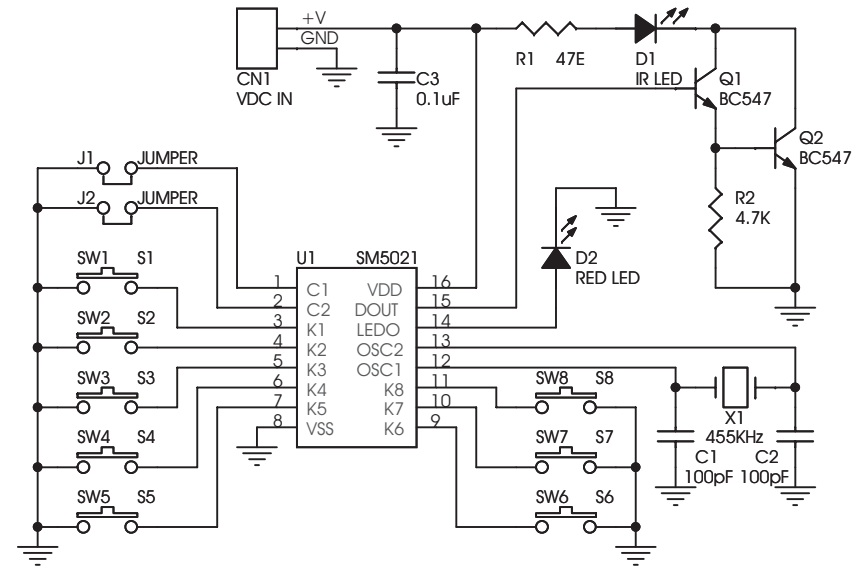
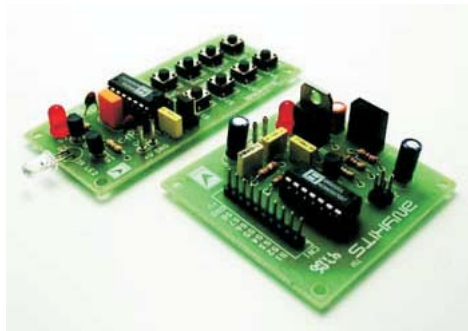


H001 8 CHANNEL INFRARED REMOTE

8 Channel Infrared (IR) Remote kit is a simple remote control kit which you can connect to various existing projects. You can also interface this kit to our Eight Channel Relay Board (I037).

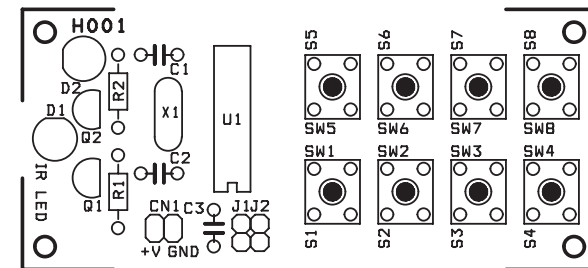
- Supply - Transmitter : 3 ~ 6 VDC, 5 V @ 150 mA & Receiver : 12 V @ 35 mA
- Output - 2 Latched, 6 Momentary TTL compatible outputs
- Crystal based oscillator for reliability of operation
- Crystal based design improves the oscillator's frequency stability
- Jumper selectable custom codes to operate more than one unit in the same area
- LED output to indicate transmission status
- High noise immunity
- Berg connector for easy connecting power supply and interfacing receiver board
- Four mounting holes of 3.2 mm each
- PCB dimensions - Transmitter : 37 mm x 80 mm & Receiver : 40 mm x 56 mm

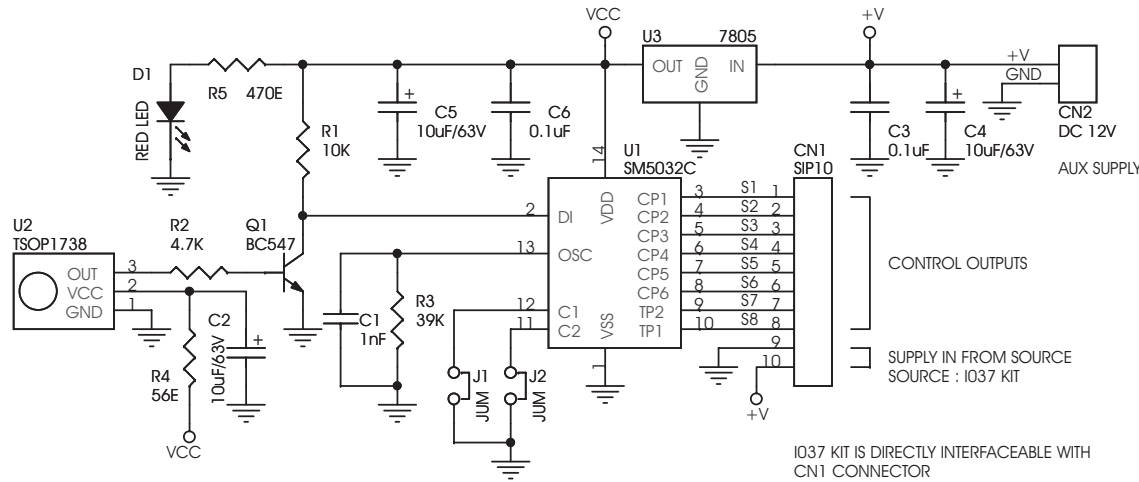


Transmitter

CN1 Connector : 2.4 to 6 VDC Input Supply
 J1 & J2 : Code selection lines should be same for transmitter and receiver

SR.	QTY.	REF.	DESCRIPTION
1	1	CN1	2 PIN BERG CONNECTOR
2	2	C1,C2	100pF
3	1	C3	0.1uF
4	1	D1	IR LED
5	1	D2	RED LED
6	2	J1,J2	2 PIN JUMPER WITH CLOSER
7	2	Q1,Q2	BC547
8	1	R1	47E
9	1	R2	4.7K
10	8	SW1 - SW8	TACT SWITCH
11	1	U1	SM5021
12	1	X1	455 KHz RESONATOR
13	1	SOCKET	16 PIN DIP IC SOCKET





Receiver

SR.	QTY.	REF.	DESCRIPTION
1	1	CN1	10 PIN BERG CONNECTOR
2	1	CN2	2 PIN BERG CONNECTOR
3	1	C1	1nF
4	3	C2,C4,C5	10uF/63V OR 50V
5	2	C3,C6	0.1uF
6	1	D1	RED LED
7	2	J1,J2	2 PIN JUMPER WITH CLOSER
8	1	Q1	BC547
9	1	R1	10K
10	1	R2	4.7K
11	1	R3	39K
12	1	R4	56E
13	1	R5	470E
14	1	U1	SM5032
15	1	U2	TSOP1738
16	1	U3	7805
17	1	SOCKET	14 PIN DIP IC SOCKET
18	1	SCREW	SC02905
19	1	NUT	NT02900

