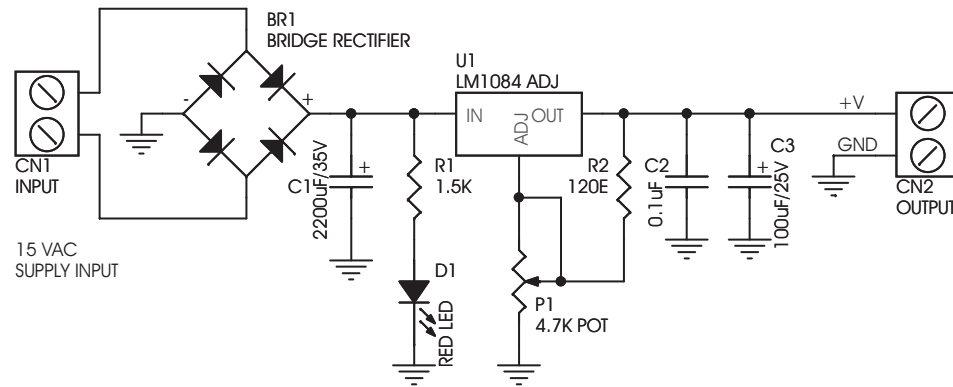
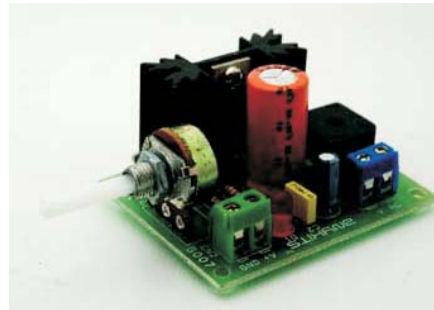


# G007 1.2 - 15V/3A ADJUSTABLE REGULATED POWER SUPPLY

This kit provides a variable output power supply ranging from 1.2 to 15 V @ 3 A. It uses Low Dropout Positive Regulator LM1084 in TO220 package for delivering variable output voltage.

- Supply input : 15 VAC
- Output : variable output from 1.2 to 15 V @ 3 A Regulated low ripple DC voltage
- Heatsink for regulator IC
- Onboard bridge rectifier to convert AC to DC
- LED indication at input of IC
- Zener trimmed band gap reference, current limiting and thermal shutdown (provided by IC feature)
- Onboard PCB mounted Potentiometer (POT) for varying the output voltage
- Filter capacitors for low ripple DC output
- Screw terminal connector for easy input and output connection
- Four mounting holes of 3.2 mm each
- PCB dimensions 56 mm x 44 mm



SR.	QTY.	REF.	DESCRIPTION
1	1	BR1	BR34 BRIDGE RECTIFIER
2	1	CN1	2 PIN SCREW TERMINAL CONNECTOR
3	1	CN2	2 PIN SCREW TERMINAL CONNECTOR
4	1	C1	2200µF/35V
5	1	C2	0.1µF
6	1	C3	100µF/25V
7	1	D1	RED LED
8	1	P1	4.7K/5K POTENTIOMETER
9	1	R1	1.5K
10	1	R2	120E
11	1	U1	LM1084 ADJ
12	1	HEATSINK	HS05025
13	2	SCREW	SC02905
14	1	SCREW	SC02907
15	1	NUT	NT02900

