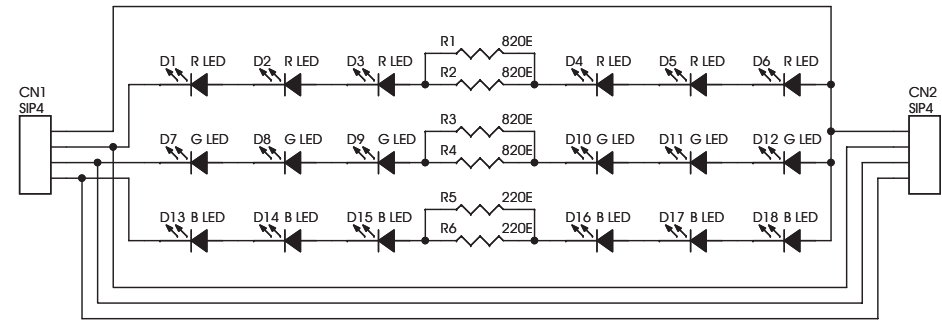


F016 RGB SMD LED BOARD

Red, Green, Blue SMD LED board, made of 18 LED work with 24 VDC. Each colors group work in series including current limiting resistor.

- Supply 24 VDC
- 6 LED each color
- SMD based circuit
- Two mounting holes of 3.2 mm each
- PCB dimensions 245 mm x 18 mm



SR.	QTY.	REF.	DESCRIPTION
1	2	CN1,CN2	4 PIN BERG CONNECTOR
2	6	D1,D2,D3,D4,D5,D6	RED LED
3	6	D7,D8,D9,D10,D11,D12	GREEN LED
4	6	D13,D14,D15,D16,D17,D18	BLUE LED
5	4	R1,R2,R3,R4	820E
6	2	R5,R6	220E

SILK SCREEN TOP

