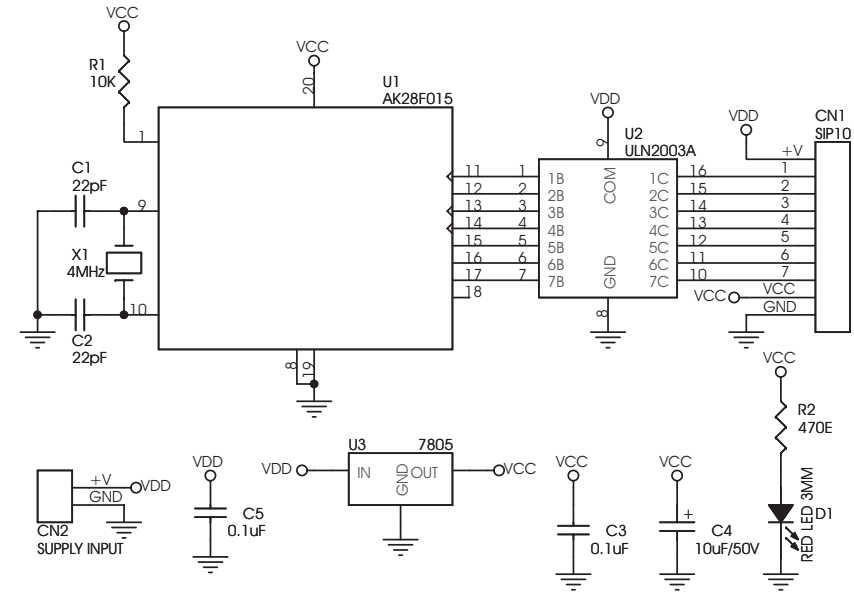


# F015

## RGB LED DISCO LIGHTS

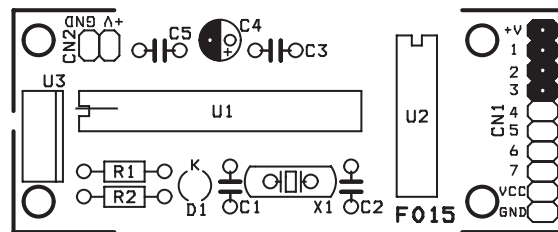
Project is based on Micro-controller which generate pre-programed Red, Blue & Green color patterns. Kit can be use in parties, pubs, fun projects, toys etc.

- SMD LED board
- Red, Blue & Green LEDs
- Supply 18 - 24 VDC
- 3 Pre-Programed Patterns
- Very compact design

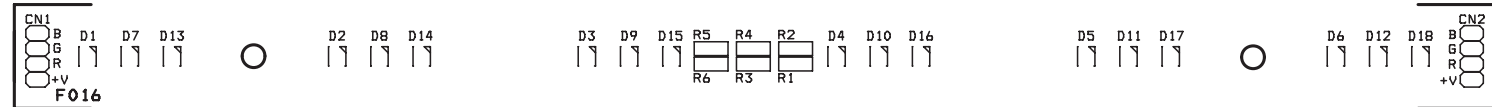


Connecting F015 Board to F016 Board  
 CN1 Connector of F015 - CN1/CN2 Connector of F016

+V		+V
1		R
2		G
3		B



SILK SCREEN TOP



SR.	QTY.	REF.	DESCRIPTION
1	1	CN1	4 PIN BERG CONNECTOR
2	1	CN2	2 PIN BERG CONNECTOR
3	2	C1,C2	22pF
4	2	C3,C5	0.1uF
5	1	C4	10uF/50V
6	1	D1	RED LED 3MM
7	1	R1	10K
8	1	R2	470E
9	1	U1	AK28F015
10	1	U2	ULN2003A
11	1	U3	7805
12	1	X1	4MHz CRYSTAL OSCILLATOR
13	1	SOCKET	28 PIN DIP IC SOCKET
14	1	SOCKET	16 PIN DIP IC SOCKET
15	1	WIRE JUMPER	WIRE JUMPER

