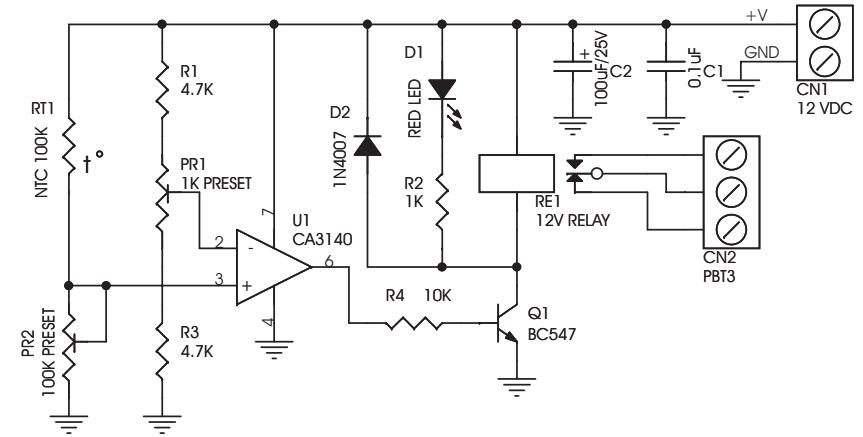


E012 TEMPERATURE SENSITIVE SWITCH

Temperature Sensitive Switch is a simple project which operates a relay when the temperature in a particular area goes above a set point. This circuit is built using CA3140 Op-amp and NTC temperature Sensor.

- Input : 12 VDC @ 50 mA
- Range : 30 °C to 60 °C
- Relay output : SPDT relay
- Onboard preset to set the level
- Relay On LED indicator
- Power Battery Terminal (PBT) for easy relay output connection
- Four mounting holes of 3.2 mm each
- PCB dimensions 51 mm x 50 mm



CN1 Connector : Supply 12 VDC, 200 mA
 CN2 Connector : Relay Out
 RT1 : NTC Temperature Sensor
 PR2 : Sensitivity Adjust
 PR1 : Comparator Voltage adjust
 D1 : Relay On Indication

SR.	QTY.	REF.	DESCRIPTION
1	1	CN1	2 PIN PBT CONNECTOR
2	1	CN2	3 PIN PBT CONNECTOR
3	1	C1	0.1uF
4	1	C2	100uF/25V
5	1	D1	RED LED
6	1	D2	1N4007
7	1	PR1	1K PRESET
8	1	PR2	100K PRESET
9	1	Q1	BC547
10	1	RE1	12V RELAY
11	1	RT1	NTC 100K
12	2	R1,R3	4.7K
13	1	R2	1K
14	1	R4	10K
15	1	U1	CA3140
16	1	SOCKET	8 PIN DIP IC SOCKET

