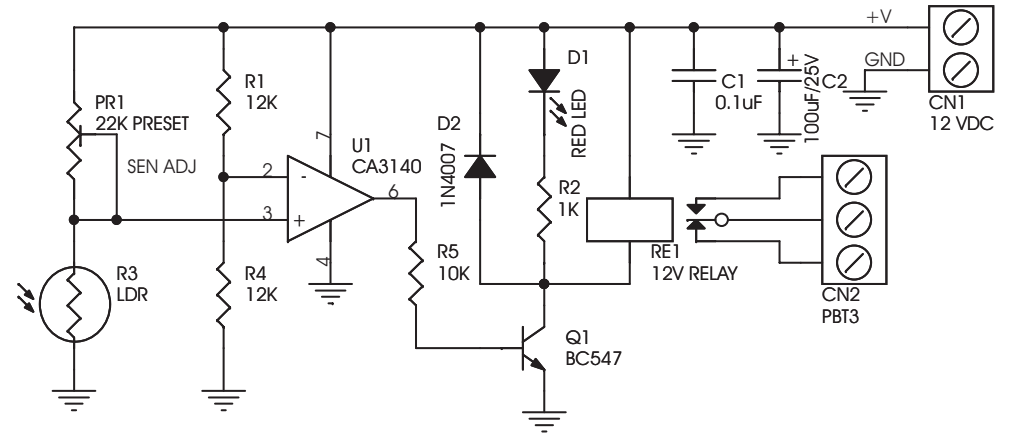
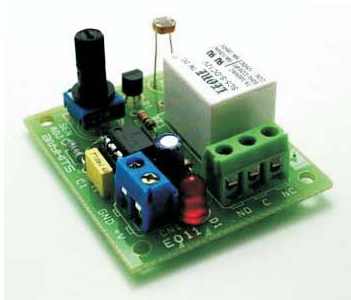


E011 DARK SENSITIVE SWITCH

Dark Sensitive Switch is a simple project which operates a relay when the light falling on the LDR goes below a set point. This circuit is built using CA3140 Op-amp and can also be considered for use in energy saving application.

- Input : 12 V @ 50 mA
- Relay output SPDT relay
- Onboard preset to set the level
- Relay On LED indicator
- Power Battery Terminal (PBT) for easy relay output connection
- Four mounting holes of 3.2 mm each
- PCB dimensions 44 mm x 51 mm



CN1 Connector : Supply 12 VDC, 200 mA

CN2 Connector : Relay Out

R3 : LDR (Light Dependent Resistor)

PR1 : Sensitivity Adjust

D1 : Relay On Indication

SR.	QTY.	REF.	DESCRIPTION
1	1	CN1	2 PIN PBT CONNECTOR
2	1	CN2	3 PIN PBT CONNECTOR
3	1	C1	0.1uF
4	1	C2	100uF/25V
5	1	D1	RED LED
6	1	D2	1N4007
7	1	PR1	22K PRESET
8	1	Q1	BC547
9	1	RE1	12V RELAY
10	2	R1,R4	12K
11	1	R2	1K
12	1	R3	LDR
13	1	R5	10K
14	1	U1	CA3140
15	1	SOCKET	8 PIN DIP IC SOCKET

