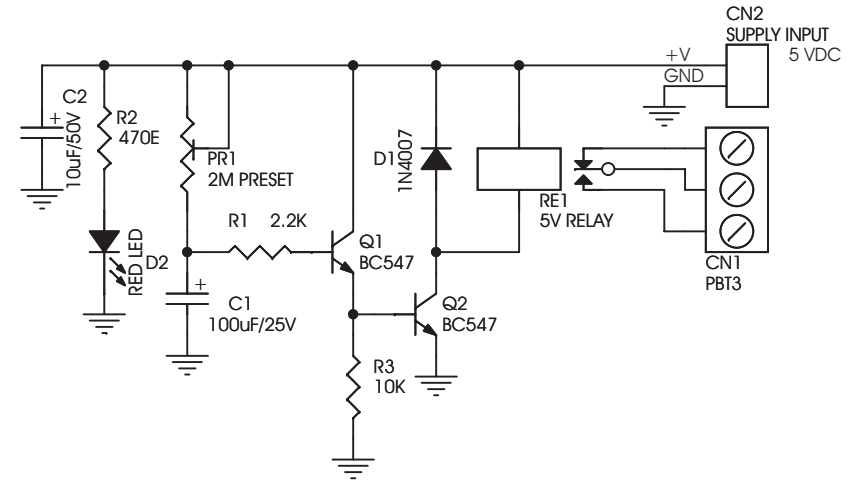
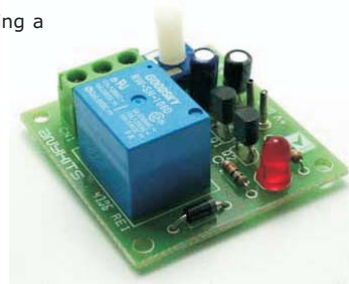


E007 POWER-ON DELAY SWITCH

Power-ON Delay Switch which can be used in all applications requiring a delay during power-on from 10 seconds onwards.

- Supply input 5 VDC
- Relay output SPDT relay
- Relay specification 5 A @ 250 VAC
- Preset adjustable range function
- Power-On LED indicator
- Screw terminal connector for easy relay output connection
- Four mounting holes of 3.2 mm each
- PCB dimensions 44 mm x 42 mm



CN1 Connector : Relay Out
 CN2 Connector : 5 VDC Supply Input
 (Standby Current 20 mA, With Relay 123 mA)
 PR1 Preset (D ADJ) : Time Adjust
 D2 LED : Supply Indication

SR.	QTY.	REF.	DESCRIPTION
1	1	CN1	3 PIN SCREW TERMINAL CONNECTOR
2	1	CN2	2 PIN BERG CONNECTOR
3	1	C1	100uF/25V
4	1	C2	10uF/50V OR 63V
5	1	D1	1N4007
6	1	D2	RED LED
7	1	PR1	2M PRESET
8	2	Q1,Q2	BC547
9	1	RE1	5V RELAY
10	1	R1	2.2K
11	1	R2	470E
12	1	R3	10K

