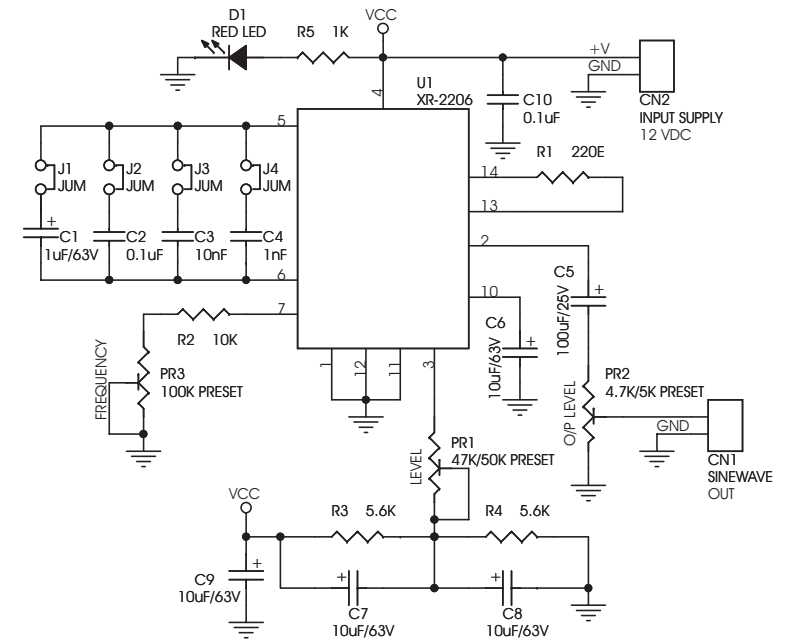
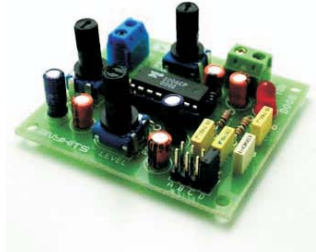


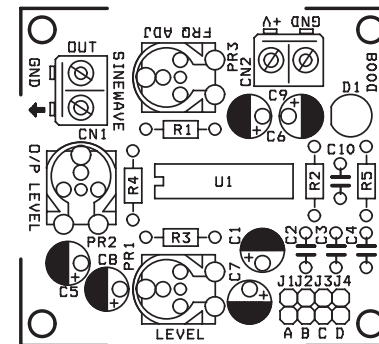
D008 SINEWAVE GENERATOR

Sinewave Generator kit will provide you with a Sinusoidal Waveform output to test various instruments. You can also use the High quality output from this kit to insert a tone modulation in your audio and RF equipment. This kit is designed using XR2206 IC to provide High Stability and Accuracy.

- Supply input 12 VDC Max @ 50 mA
- Range : Jumper selectable and preset tunable range of 10 Hz - 100 KHz
- Output Level can be controller with onboard preset
- Power-On LED indicator
- Screw terminal connector for easy connection
- PCB dimensions 55 mm x 50 mm



SR.	QTY.	REF.	DESCRIPTION
1	1	CN1	2 PIN SCREW TERMINAL CONNECTOR
2	1	CN2	2 PIN SCREW TERMINAL CONNECTOR
3	1	C1	1uF/63V
4	2	C2,C10	0.1uF
5	1	C3	10nF
6	1	C4	1nF
7	1	C5	100uF/25V
8	4	C6,C7,C8,C9	10uF/63V OR 50V
9	1	D1	RED LED
10	4	J1,J2,J3,J4	2 PIN JUMPER
11	1	PR1	47K/50K PRESET
12	1	PR2	4.7K/5K PRESET
13	1	PR3	100K PRESET
14	1	R1	220E
15	1	R2	10K
16	2	R3,R4	5.6K
17	1	R5	1K
18	1	U1	XR-2206
19	1	SOCKET	16 PIN DIP IC SOCKET
20	1	JUMPER CLOSER	JC02



- J1 : 10 to 100 Hz
- J2 : 100 to 1 KHz
- J3 : 1 KHz 10 KHz
- J4 : 10 KHz to 100 KHz
- CN1 Connector : Sine Wave Output
- CN2 Connector : Supply Input 12 VDC, 100 mA
- PR1 : Amplitude Set (Level)
- PR2 : Output Level Adjust (O/P Level)
- PR3 : Frequency Adjust (Frequency)

