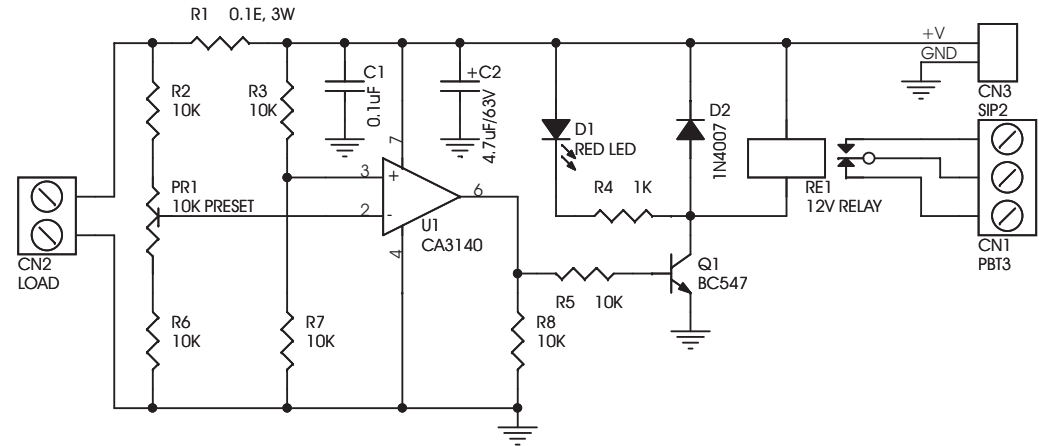
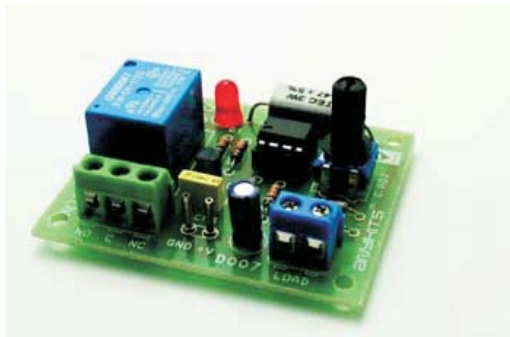


D007 CURRENT SENSE SWITCH

Current Sense Switch kit is a simple circuit which will operate a relay when a preset current is reached / exceeded. This circuit can offer over current protection to your project. You can connect various alarm output or simply break the supply to the circuit using the relay.

- Input : 12 VDC @ 75 mA
- Range : 1 to 2 A selectable with onboard preset
- Output : SPDT Relay
- Power Battery Terminal (PBT) and Terminal Pins for easy connection
- Four mounting holes of 3.2 mm each
- PCB dimensions 52 mm x 47 mm



CN3 Connector : Supply Input 12 VDC
 CN2 Connector : Load
 CN1 Connector : Relay Output
 D1 LED : Relay Status LED Indication
 PR1 Preset : Range Adjust

SR.	QTY.	REF.	DESCRIPTION
1	1	CN1	3 PIN PBT CONNECTOR
2	1	CN2	2 PIN PBT CONNECTOR
3	1	CN3	2 PCB PINS
4	1	C1	0.1uF
5	1	C2	4.7uF/63V
6	1	D1	RED LED
7	1	D2	1N4007
8	1	PR1	10K PRESET
9	1	Q1	BC547
10	1	RE1	12V RELAY
11	1	R1	0.1E, 3W
12	6	R2,R3,R5,R6,R7,R8	10K
13	1	R4	1K
14	1	U1	CA3140
15	1	SOCKET	8 PIN DIP IC SOCKET

