

C047 OPTO-ISOLATED I/O BOARD

Opto-Isolated I/O Board offers a compact & convenient way to interface industrial type inputs/outputs to your microcontroller boards, Signal transmission between circuits of different potentials and impedances etc.

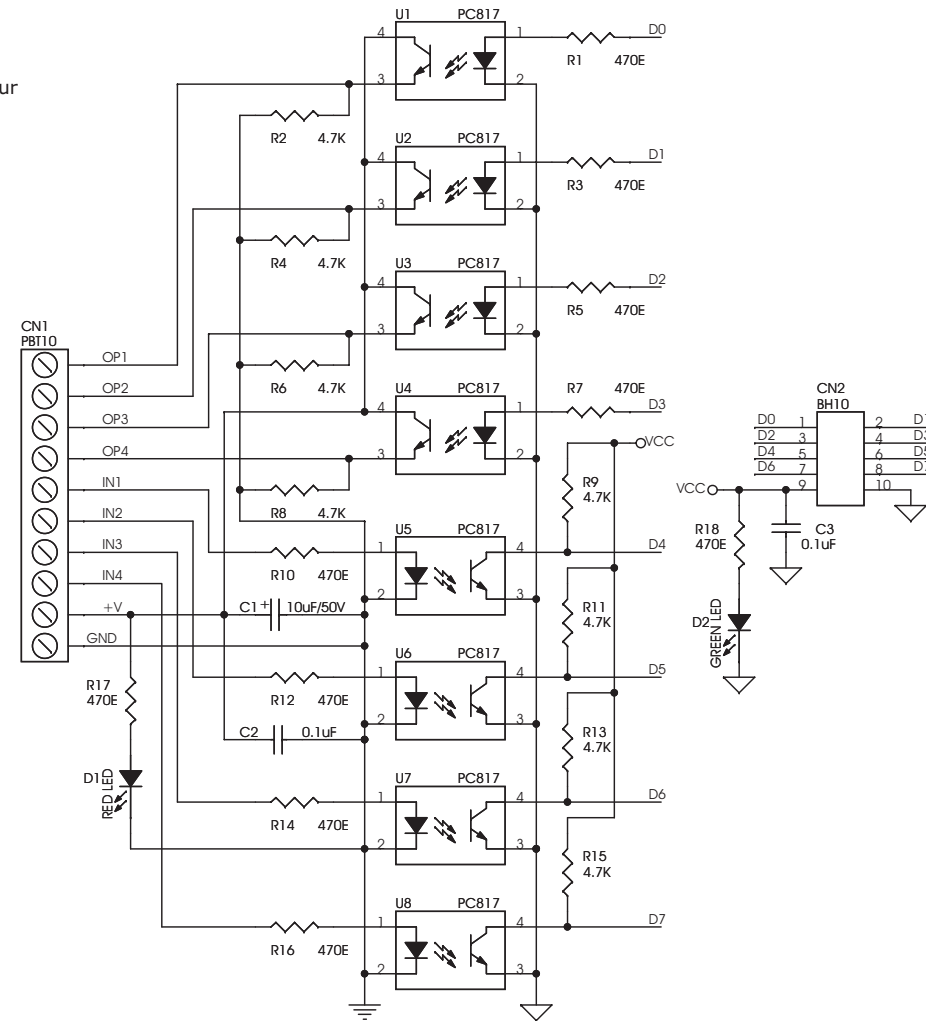
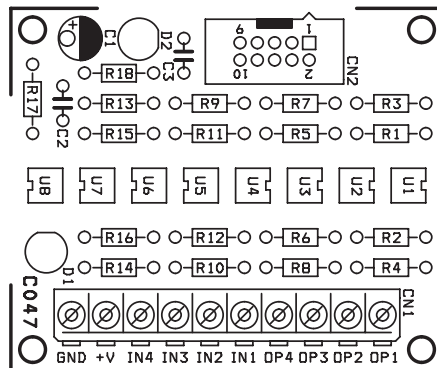
- 4 optoisolated inputs & 4 optoisolated outputs
- Std TTL input signals for opto-couplers
- Interfacing is via 10-pin Box Header and Screw terminal type connector
- Power source LED indicator
- Four mounting holes 3.2 mm each
- PCB dimensions 54 mm x 64 mm



D0 - D3 are INPUTS			
D0	D1	D2	D3
HIGH	HIGH	HIGH	HIGH
OP1	OP2	OP3	OP4
HIGH	HIGH	HIGH	HIGH

IN1 - IN3 are INPUTS			
IN1	IN2	IN3	IN4
HIGH	HIGH	HIGH	HIGH
D4	D5	D6	D7
LOW	LOW	LOW	LOW

VCC is 5 VDC, +V is 5 VDC
(VCC and +V are isolated for each other)



SR.	QTY.	REF.	DESCRIPTION
1	1	CN1	10 PIN SCREW TERMINAL CONNECTOR
2	1	CN2	10 PIN BOX HEADER CONNECTOR
3	1	C1	10uF/50V OR 63V
4	2	C2,C3	0.1uF
5	1	D1	RED LED
6	1	D2	GREEN LED
7	10	R1,R3,R5,R7,R10,R12,R14,R16,R17,R18	470E
8	8	R2,R4,R6,R8,R9,R11,R13,R15	4.7K
9	8	U1,U2,U3,U4,U5,U6,U7,U8	PC817

