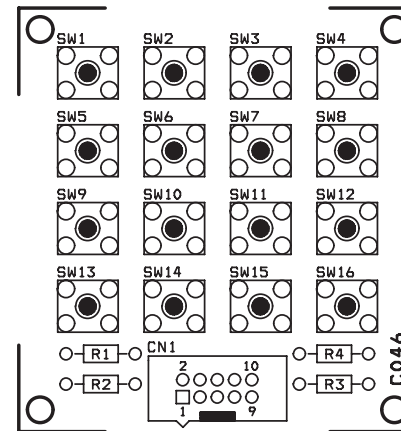
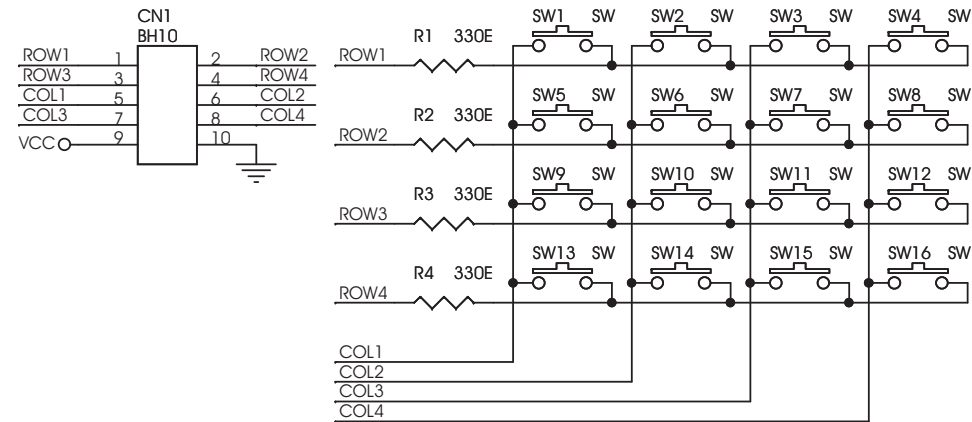
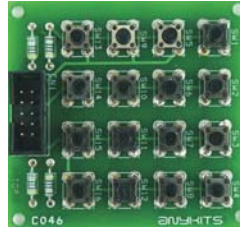


C046 4 X 4 MATRIX KEYBOARD

4 X 4 Matrix Keyboard kit will add keyboard support to your project.

- Matrix style keyboard 4 Column X 4 Rows
- Easy interface with Anykits Microcontroller Development Boards
- 4-Pin Tactile switch
- Box Header connector for easy connection
- Four mounting holes 3.2 mm each
- PCB dimensions 59 mm x 63 mm



SR.	QTY.	REF.	DESCRIPTION
1	1	CN1	10 PIN BOX HEADER CONNECTOR
2	4	R1,R2,R3,R4	330E
3	16	SW1 TO SW16	TACT SWITCH

