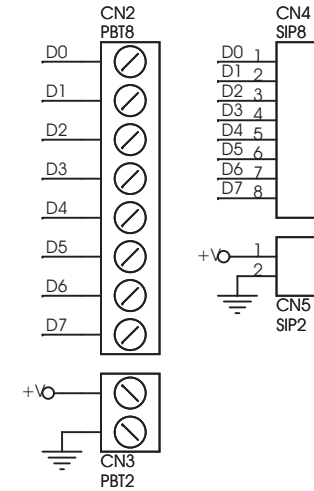
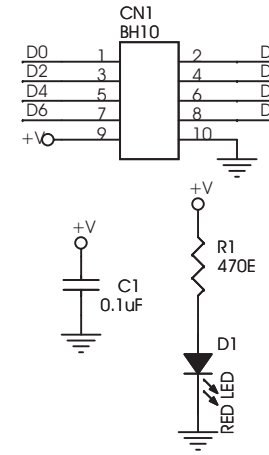


C036 IN/OUT CONNECTION BOARD

In/Out Connection Board is a simple PCB offering easy connection of a standard 10-pin Box Header connector to screw terminal connector or berg connector. This PCB also has an AUX power screw terminal connector through which you can either source or supply power to your projects.
PCB dimensions 39 mm x 58 mm



SR.	QTY.	REF.	DESCRIPTION
1	1	CN1	10 PIN BOX HEADER CONNECTOR
2	1	CN2	8 PIN SCREW TERMINAL CONNECTOR
3	1	CN3	2 PIN SCREW TERMINAL CONNECTOR
4	1	CN4	8 PIN BERG CONNECTOR
5	1	CN5	2 PIN BERG CONNECTOR
6	1	C1	0.1uF
7	1	D1	RED LED
8	1	R1	470E

