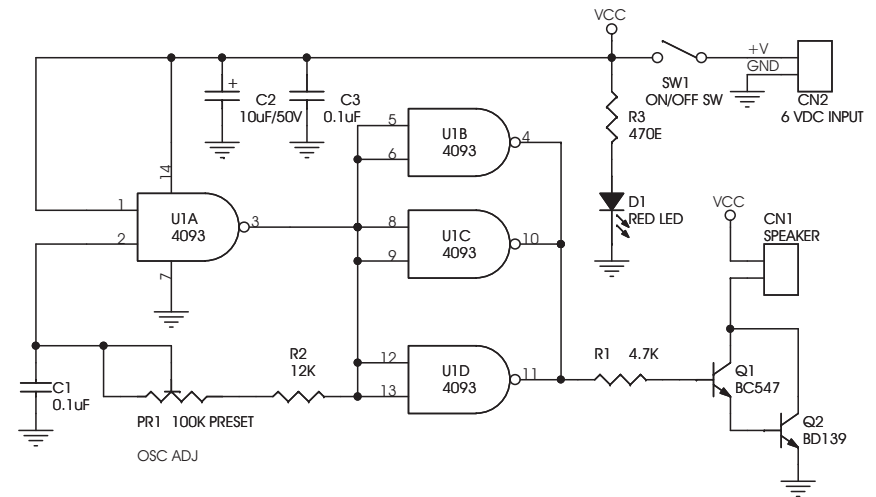


# B009 AUDIO OSCILLATOR

Audio Oscillator kit simply produces audio tones for use in the range of 115 Hz to 1 KHz. This kit is a must for audio technicians and experimenters alike.

- Input : 6 VDC @ 325 mA
- Output : Speaker, 8 Ω / 0.5 W
- Range 115 Hz to 1 KHz selectable by onboard PRESET
- ON/OFF slide switch for power supply
- Terminal pins for supply voltage and speaker output
- Power-On LED indicator
- Four mounting holes of 3.2 mm each
- PCB dimensions 39 mm x 42 mm



SR.	QTY.	REF.	DESCRIPTION
1	1	CN1	2 PCB PIN
2	1	CN2	2 PCB PIN
3	2	C1,C3	0.1uF
4	1	C2	10uF/50V OR 63V
5	1	D1	RED LED
6	1	PR1	100K PRESET
7	1	Q1	BC547
8	1	Q2	BD139
9	1	R1	4.7K
10	1	R2	12K
11	1	R3	470E
12	1	SW1	SLIDE SWITCH
13	1	U1	4093
14	1	SOCKET	14 PIN DIP IC SOCKET

