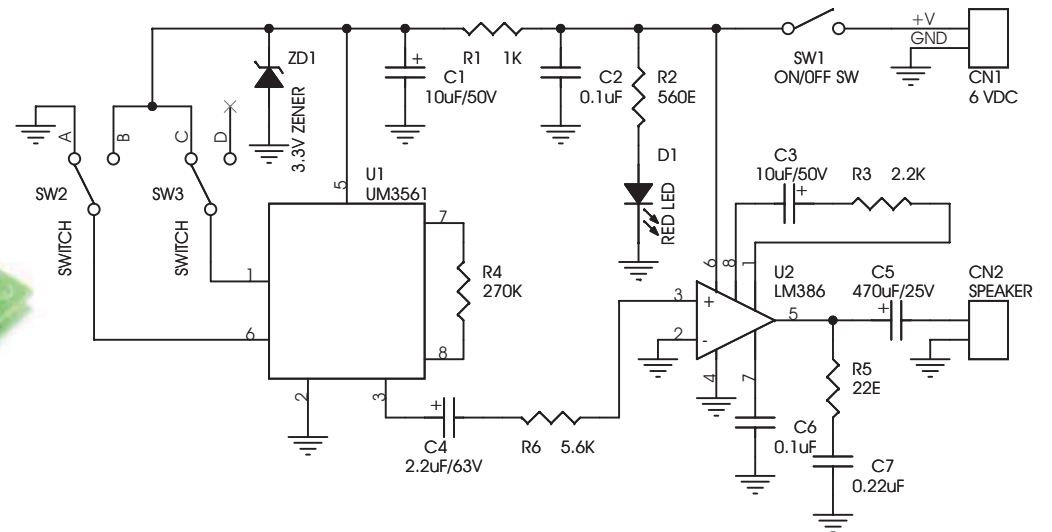


B008 3 TONE SIREN

3 Tone Siren kit produces Gun Sound, Police Siren and Ambulance Siren effects from a speaker. This kit is built around UM3561 IC driving an LM386 audio amplifier to give that extra punch.

- Supply input 6 VDC @ 200 mA
- Output : Speaker, 8 Ω / 0.5 W
- Two slide switches select and play different tones
- On/Off Slide switch for supply input
- Terminal pins for supply input and speaker output
- Power-On LED indicator
- Four mounting holes of 3.2 mm each
- PCB dimensions 42 mm x 64 mm



SR.	QTY.	REF.	DESCRIPTION
1	1	CN1	2 PCB PIN
2	1	CN2	2 PCB PIN
3	2	C1,C3	10uF/50V OR 63V
4	2	C2,C6	0.1uF
5	1	C4	2.2uF/63V
6	1	C5	470uF/25V
7	1	C7	0.22uF
8	1	D1	RED LED
9	1	R1	1K
10	1	R2	560E
11	1	R3	2.2K
12	1	R4	270K
13	1	R5	22E
14	1	R6	5.6K
15	3	SW1,SW2,SW3	SLIDE SWITCH
16	1	U1	UM3561
17	1	U2	LM386
18	1	ZD1	3.3V ZENER DIODE
19	2	SOCKET	8 PIN DIP IC SOCKET

