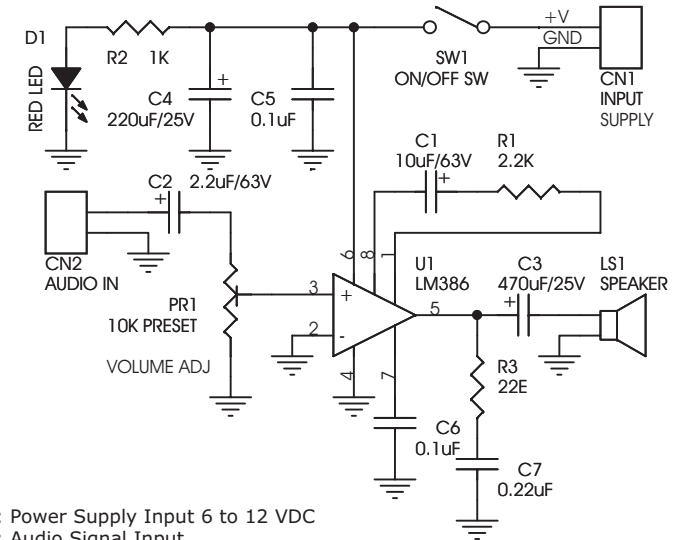


# TINY AUDIO AMPLIFIER A005

The Tiny Audio Amplifier kit is a good choice for battery operation. It is based on National Semiconductor LM386 IC.

- Wide power supply input 6 to 12 VDC
- 500 mW output @ 8 Ohms load
- Low quiescent current drain 4 mA IC
- The quiescent power drain is only 24 mW when operating from 6 VDC
- Onboard preset for volume adjust
- Berg connector for connecting power supply, audio signal and speaker
- Onboard power indication LED
- On/Off PCB mounted slide switch for power supply
- Four mounting holes of 3.2 mm each
- PCB dimensions 41 mm x 41 mm



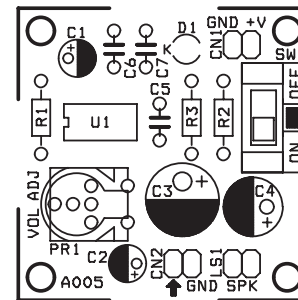
CN1 Connector : Power Supply Input 6 to 12 VDC

CN2 Connector : Audio Signal Input

LS1 Connector : Appropriate Speaker

D1 LED : Power Indication

PR1 Preset : Volume Adjust



SR.	QTY.	REF.	DESCRIPTION
1	1	CN1	2 PIN BERG CONNECTOR
2	1	CN2	2 PIN BERG CONNECTOR
3	1	C1	10uF/63V
4	1	C2	2.2uF/63V
5	1	C3	470uF/25V
6	1	C4	220uF/25V
7	2	C5,C6	0.1uF
8	1	C7	0.22uF
9	1	D1	RED LED 3MM
10	1	LS1	2 PIN BERG CONNECTOR
11	1	PR1	10K PRESET
12	1	R1	2.2K
13	1	R2	1K
14	1	R3	22E
15	1	SW1	SLIDE SWITCH
16	1	U1	LM386
17	1	SOCKET	8 PIN DIP IC SOCKET

