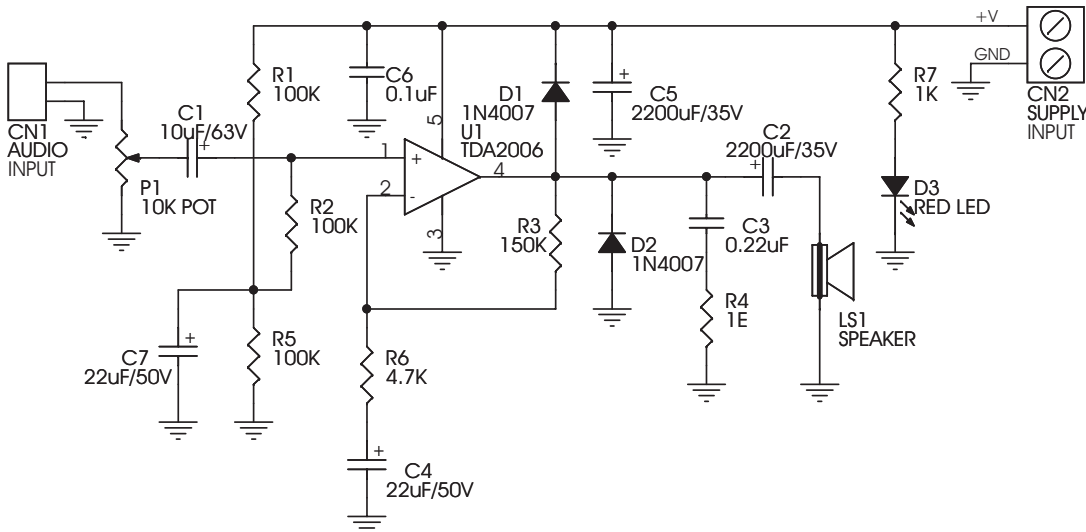
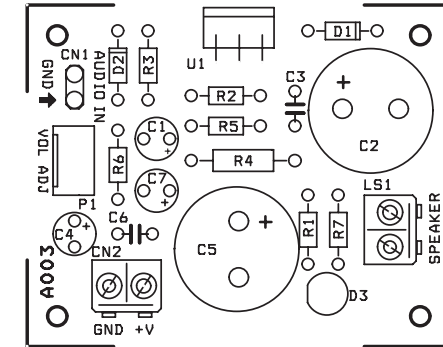


A003 TDA2006 12W AUDIO AMPLIFIER

TDA2006 12W Audio Amplifier Kit is a Low Frequency Class AB amplifier.

- Power supply upto 18 VDC
- Output power 12 W @ 4 Ω, 8 W @ 8 Ω
- TDA2006 provides high output current
- Has very low harmonic and cross-over distortion
- Short circuit protection/Thermal shutdown system in IC
- Terminal pins for connecting audio signal input
- Relimate connector for connecting potentiometer (POT) for volume adjustment
- Screw terminal connector for easy power supply input and speaker connection
- Power-On LED indicator
- Heatsink for IC
- Four mounting holes of 3.2 mm each with nut and stud
- PCB dimensions 51 mm x 63 mm

Note : Use shielded cable for connecting potentiometer



SR.	QTY.	REF.	DISC.
1	1	CN1	2 PCB PIN
2	1	CN2	2 PIN SCREW TERMINAL CONNECTOR
3	1	C1	10uF/63V
4	2	C2,C5	2200uF/35V
5	1	C3	0.22uF
6	2	C4,C7	22uF/50V
7	1	C6	0.1uF
8	2	D1,D2	1N4007
9	1	D3	RED LED
10	1	LS1	2 PIN SCREW TERMINAL CONNECTOR
11	1	P1	10K POT WITH 3 PIN RELIMATE/BERG CONNECTOR
12	3	R1,R2,R5	100K
13	1	R3	150K
14	1	R4	1E
15	1	R6	4.7K
16	1	R7	1K
17	1	U1	TDA2006
18	1	SCREW	SC02909
19	1	NUT	NT02900
20	4	STUD	ST05008
21	4	SCREW	SC02905
22	1	HEATSINK	HS02062

