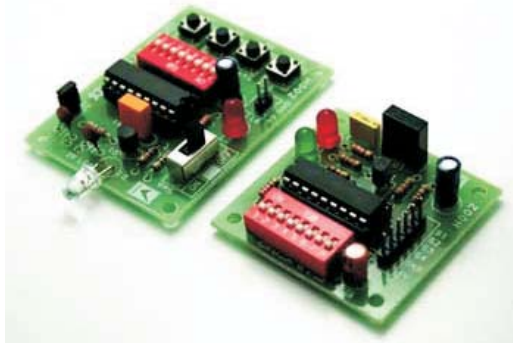


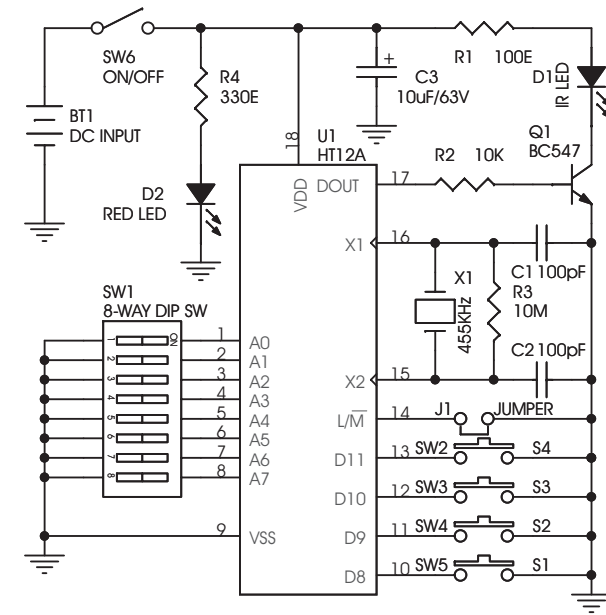
H002 4 CHANNEL INFRARED REMOTE

4 Channel Infrared (IR) Remote is a simple kit using the famous HT12A and HT12D encoder / decoder chips from Holtek. You can also interface this kit to our Four Channel Relay Board (I006).

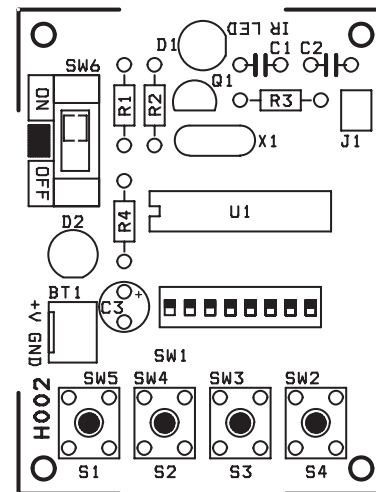
- Supply - Transmitter : 2.4 ~ 5 VDC, 5 V @ 20 mA & Receiver : 5 ~ 6 VDC, 5 V @ 50 mA
- Output - 4 Latched/Momentary TTL compatible output
- Crystal based oscillator for reliability of operation
- DIP switch selectable 8 bit address code
- LED output to indicate reception
- ON/OFF slide switch in the transmitter
- Power-On LED indicator in the Receiver / Transmitter
- High noise immunity
- Berg connector for interfacing of the board
- Four mounting holes of 3.2 mm each
- PCB dimensions - Transmitter : 61 mm x 47 mm & Receiver : 46 mm x 46 mm



BT1 - Battery Supply 5 VDC
 J1 - Open : Latch, Close : Momentary
 SW1 - For transmitter and receiver address setting should be same

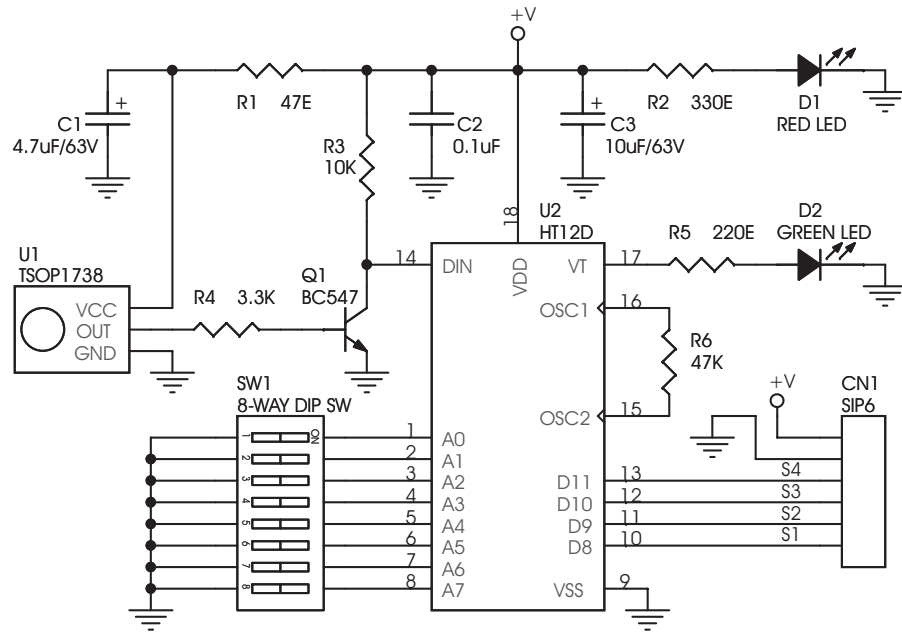


Transmitter



SR.	QTY.	REF.	DESCRIPTION
1	1	BT1	2 PIN RELIMATE/BERG CONNECTOR
2	2	C1,C2	100pF
3	1	C3	10uF/63V OR 50V
4	1	D1	IR LED
5	1	D2	RED LED
6	1	J1	2 PIN JUMPER WITH CLOSER
7	1	Q1	BC547
8	1	R1	100E
9	1	R2	10K
10	1	R3	10M
11	1	R4	330E
12	1	SW1	8 WAY DIP SWITCH
13	4	SW2,SW3,SW4,SW5	TACT SWITCH
14	1	SW6	SLIDE SWITCH
15	1	U1	HT12A
16	1	X1	455KHz RESONATOR
17	1	SOCKET	18 PIN DIP IC SOCKET





Receiver

SR.	QTY.	REF.	DESCRIPTION
1	1	CN1	6 PIN RELIMATE/BERG CONNECTOR
2	1	C1	4.7uF/63V
3	1	C2	0.1uF
4	1	C3	10uF/63V OR 50V
5	1	D1	RED LED
6	1	D2	GREEN LED
7	1	Q1	BC547
8	1	R1	47E
9	1	R2	330E
10	1	R3	10K
11	1	R4	3.3K
12	1	R5	220E
13	1	R6	47K
14	1	SW1	8 WAY DIP SWITCH
15	1	U1	TSOP1738
16	1	U2	HT12D
17	1	SOCKET	18 PIN DIP IC SOCKET

