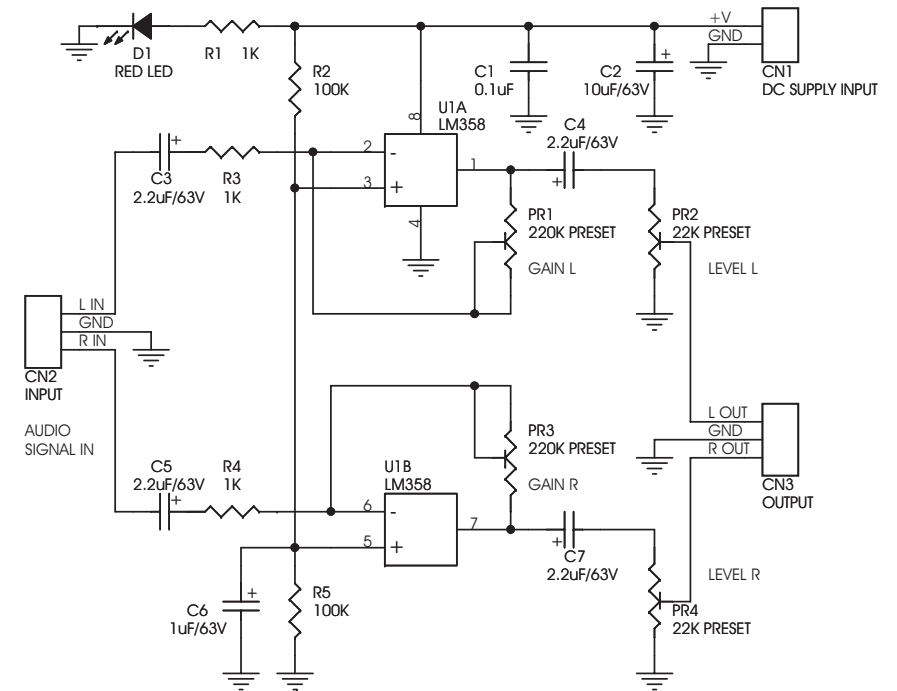
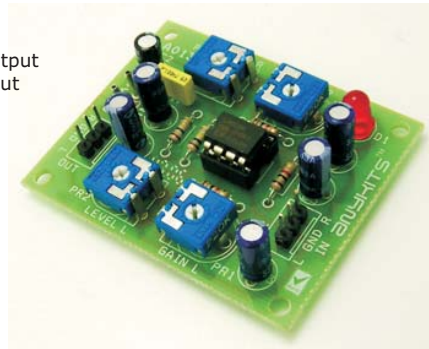


A013 STEREO AUDIO PREAMPLIFIER

The Stereo Audio Preamplifier kit has been developed to amplify the low level stereo audio signal. It can be used as Mic preamplifier etc.

- Power supply : 12 - 24 VDC @ 40 mA
- Onboard PRESET to adjust Gain, Level
- Berg connector for connecting of input and output
- Terminal pins for connecting power supply input
- Power-On LED indicator
- Four mounting holes of 3.2 mm each
- PCB dimensions 47 mm x 58 mm



SR.	QTY.	REF.	DESCRIPTION
1	1	CN1	2 PCB PIN
2	2	CN2,CN3	3 PIN RELIMATE/BERG CONNECTOR
3	1	C1	0.1uF
4	1	C2	10uF/63V OR 50V
5	4	C3,C4,C5,C7	2.2uF/63V
6	1	C6	1uF/63V
7	1	D1	RED LED
8	2	PR1,PR3	220K/250K PRESET
9	2	PR2,PR4	22K PRESET
10	3	R1,R3,R4	1K
11	2	R2,R5	100K
12	1	U1	LM358
13	1	SOCKET	8 PIN DIP IC SOCKET

